



Delta presents you with an ideal drive for door applications

Automation for a Changing World

Delta Door Control Drive & Servo Motor VFD-DD Series



www.deltaww.com

 **DELTA**
Smarter. Greener. Together.

Door Drive Functions and Features

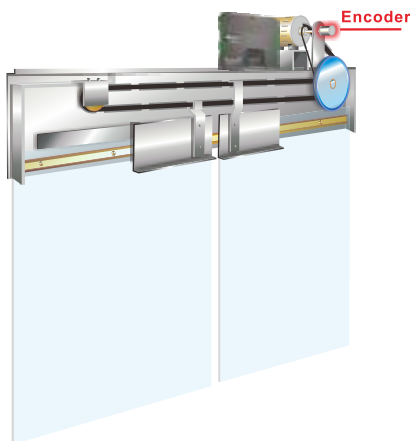
● User Friendly Design



● Door Control Solutions

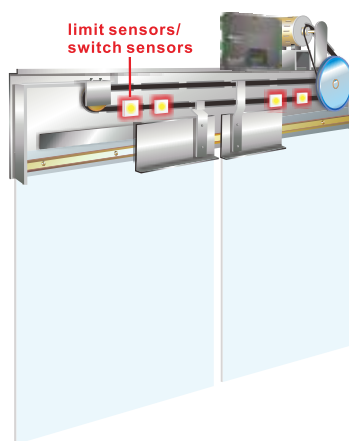
▪ Distance Control Mode

For encoder applications this mode precisely controls the door's opening and closing position via encoder feedback signal.



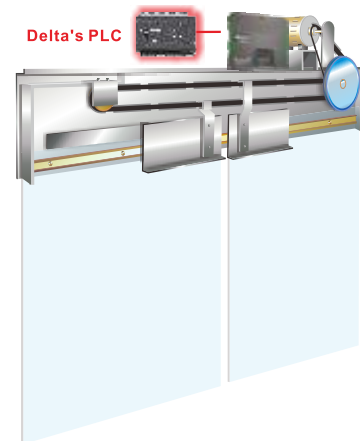
▪ Speed Control Mode

For induction motor applications this mode executes door opening and closing via 2~4 limit sensors or switch sensors.



▪ Multi-step Speed Control Mode

For PLC applications this mode uses Delta's PLC as a host controller to control door opening and closing in multi-step speeds.



● Built-in Door Control Functions

▪ Door Width Auto-tuning

Door width is automatically measured and saved as the door opens and closes. It will open and close twice to confirm the door width accuracy. Once confirmed, the measurement is recorded into the drive's parameters.

▪ Smooth Door Curve

The door will reopen in a reverse direction when door blockage is detected. The reopen is performed with a smooth curve to minimize the impact of vibration

▪ Demo Mode

Demo mode demonstrates the door open, close and reverse motions to ensure the performance and quality of the drive system and the door structure.

▪ Asynchronous (IM) and Synchronous (PM) motors applications

Compatible with Delta ECMD series door control servo motor and other induction motors (signal type encoder that accepts open collector and differential signal with 5 or 12 VDC)

▪ Door Protection System

Passengers enter and exit the elevator with greater safety. When the light curtain and safety panel fail to function, the drive will command the door to re-open as it detects a rise of current caused by the blocked door.

▪ Blockage Detection

4 steps: precise torque detection at blockage, door remains at current position for a few seconds, door "OPEN/CLOSE" time-out, force open.

▪ Built-in EMI filters (except for Basic Models)

Specifications

230V 1-phase: 200W and 400W models

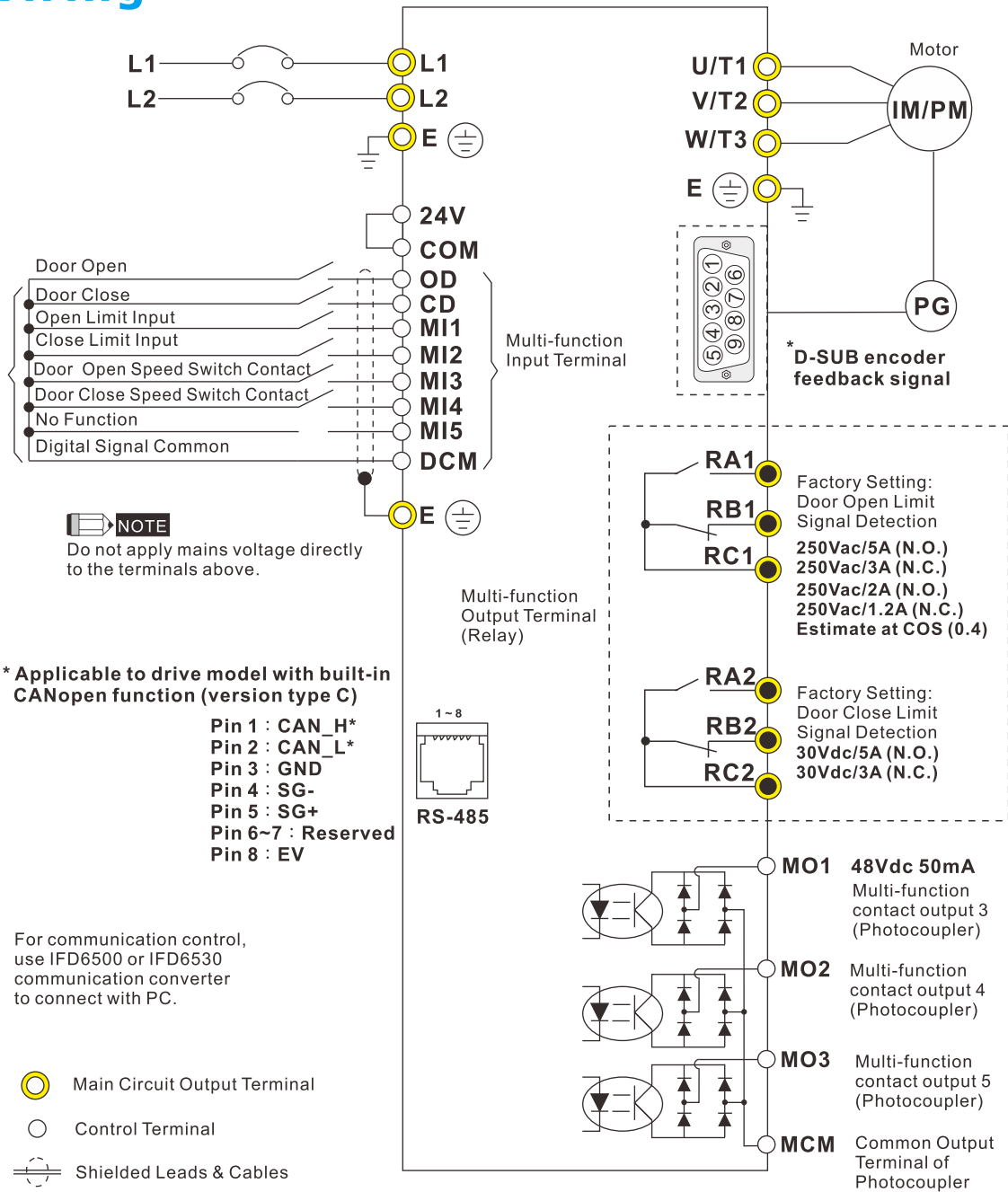
	Model Number VFD-__ __DD	002	004
	Max. Applicable Motor Output (W)	200	400
Output Rating	Rated Output Capacity (KVA)	0.6	1.0
	Rated Output Current for Constant Torque (A)	1.5	2.5
	Maximum Output Voltage (V)	Proportional Input Voltage	
	Output Frequency (Hz)	0.00~120.00Hz	
	Carrier Frequency (kHz)	10 kHz	
	Rated Input Current (A)	4.9A	6.5A
	Environment	Voltage Tolerance	Single Phase 200 - 20% ~ 240V + 10% (160~264V)
Frequency Tolerance		50/60Hz±5% (47~63Hz)	
	Cooling Method	200W natural cool /400W natural cool	
	Frame	W170 x L215 x H55mm	

General Specifications

Control Characteristics	Starting Torque	At 0.5Hz, starting torque reaches above 150% at 0.5Hz; under FOC+PG mode, starting torque reaches above 150% at 0Hz.	
	Speed Control Range	1:100(external PG installation can achieve 1:1000)	
	Speed Control Accuracy	±0.5% (external PG installation can achieve 0.02%)	
	Speed Response Ability	5Hz (vector control can attain 30Hz)	
	Max. Output Frequency (Hz)	0.00 to 120.00 Hz	
	Output Frequency Accuracy	Digital command ±0.005%	
	Frequency Setting Resolution	Digital command ±0.01Hz	
	Torque Limit	200% torque current as maximum	
	Accel/Decel Time	0.00~600.00 sec	
	V/F Curve Pattern	Adjustable V/F curve of 4 independent points	
Operating Characteristics	Frequency Setting Signal	Keypad	By parameter setting
		External Signal	Multi-function input selection 1~5 (15 step speeds; JOG), parameter setting on serial communication port (RS-485)
	Operation Setting Signal	Keypad	Set by RUN, STOP key
		External Signal	2 wires (Fwd, Rev, RUN), JOG operation, RS-485 serial interface, demo mode
Multi-Function Input Signal	Multi-step speed selection MI1~MI15, Jog, first to second accel/decel switches, demo mode, force stop, emergency stop, operation command source, parameter lock, driver reset, open/close limit signal, door open prohibited signal, force open signal, reposition, 2nd step open/close curve selection		
Multi-Function Output Signal	(RC1,RA1,RB1) , (RC2,RA2,RB2) , (MO1,MO2,MO3 and MCM) AC drive operating, frequency attained, fault indication, over torque, over voltage, operation mode, alarm indication, demo mode indication, overheat alarm, drive is ready, emergency stop, braking signal, zero speed indication, PG indication error, position detection, limit signal, re-open/close indication, position finished		
Communication Interface	Built-in MODBUS, customize CAN Bus		
Alarm Output Contact	Contact "ON" when malfunctions occurs (relay with a "C" or "A" contact, or 2 open collector outputs)		
Operation Function	AVR, 4 set fault records, reverse inhibition, DC brake, auto torque/slip compensation, auto tuning, adjustable carrier frequency, output frequency upper and lower limits, parameter reset, vector control, MODBUS communication, abnormal reset, abnormal re-start, PG feedback control, fan control, demo mode, door width auto-tuning		
Protection Function	Over voltage, over current, under current, external fault, overload, ground fault, overload, overheating, electronic thermal, PG feedback error, external limit signal error, re-open/re-close		
Digital Keypad	7 function keys, 4-digit 7-segment LED, 4 status LEDs, master frequency, output frequency, output current, custom units, parameter values for setup, review and faults, RUN, STOP, RESET, FWD/REV		
Built-in EMI filter	Certified to EN55011 CLASS A		
Protection Characteristics	Motor Protection	Electronic thermal relay protection	
	Over Current Protection	The current forces 180% of the over-current protection and 240% of the rated current	
	Overload Capacity	150% for 60 seconds ; 180% for 10 seconds	
	Voltage Protection	Over-voltage level: Vdc>400; low-voltage level: Vdc<200	
	Over-voltage Protection for Input Power	Varistor (MOV)	
	Overheat Protection	Built-in temperature sensor	
Environment	Enclosure Rating	IP20	
	Operation Temperature	-10°C~40°C	
	Ambient Temperature	-20°C~60°C	
	Ambient Humidity	Below 90% RH (non-condensing)	
	Vibration	1.0G less than 20Hz, 0.6G at 20~60 Hz	
Installation Location	Altitude 1,000m or lower, keep from corrosive gasses, liquid and dust		

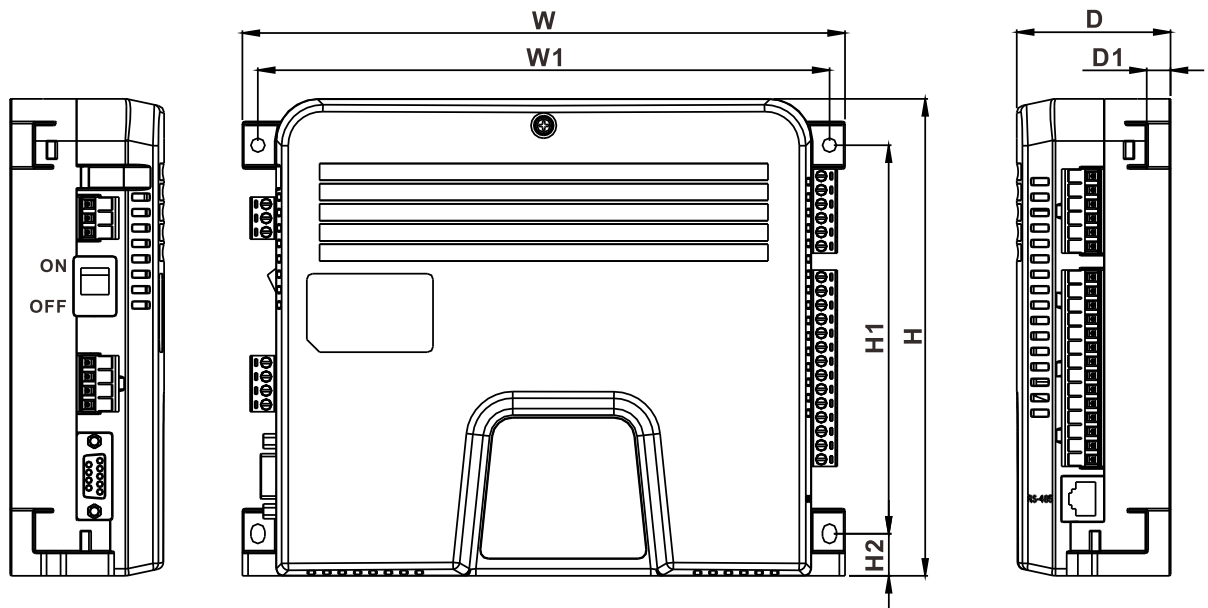


Wiring



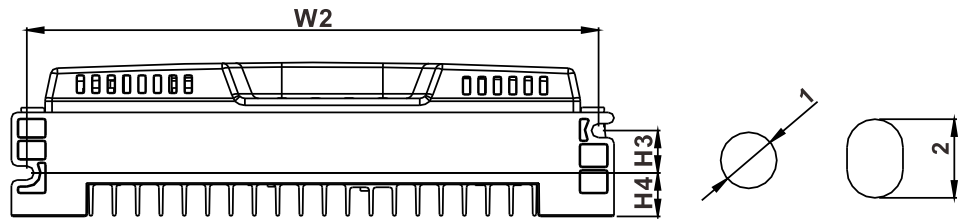
*Please refer to VFD-DD series user manual for terminal definition of E type encoder.

Dimensions



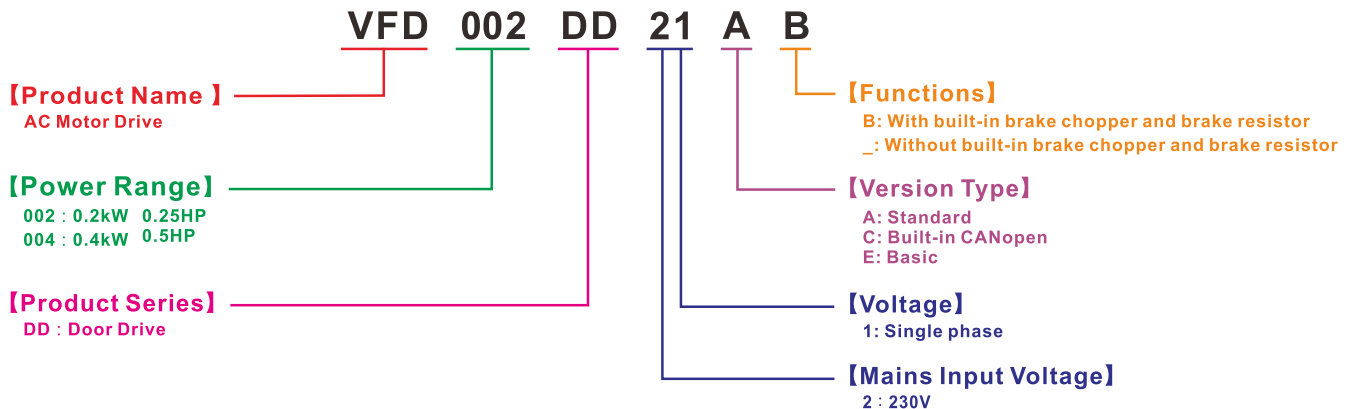
MODEL FRAME_A1

- VFD002DD21A
- VFD002DD21AB
- VFD002DD21C
- VFD002DD21CB
- VFD002DD21E
- VFD004DD21A
- VFD004DD21AB
- VFD004DD21C
- VFD004DD21CB
- VFD004DD21E



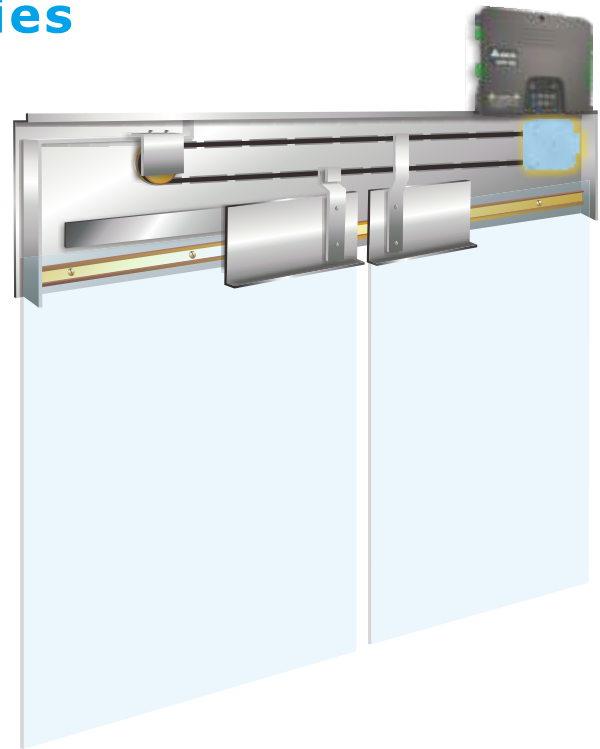
Model Name	W	H	D	W1	W2	H1	H2	H3	H4	D1	Ø1	Ø2	
A1	mm	215.0	170.0	55.0	204.0	204.0	138.5	15.0	15.1	15.5	8.5	5.0	7.0
	inch	8.46	6.69	2.17	8.03	8.03	5.45	0.59	0.59	0.61	0.34	0.20	0.28

Model Name



Servo Motors ECMD Series

- 55mm thin design
- Instant torque up to 5N-m
- Maximizes installation flexibility
 - Both sides of motor can be installed

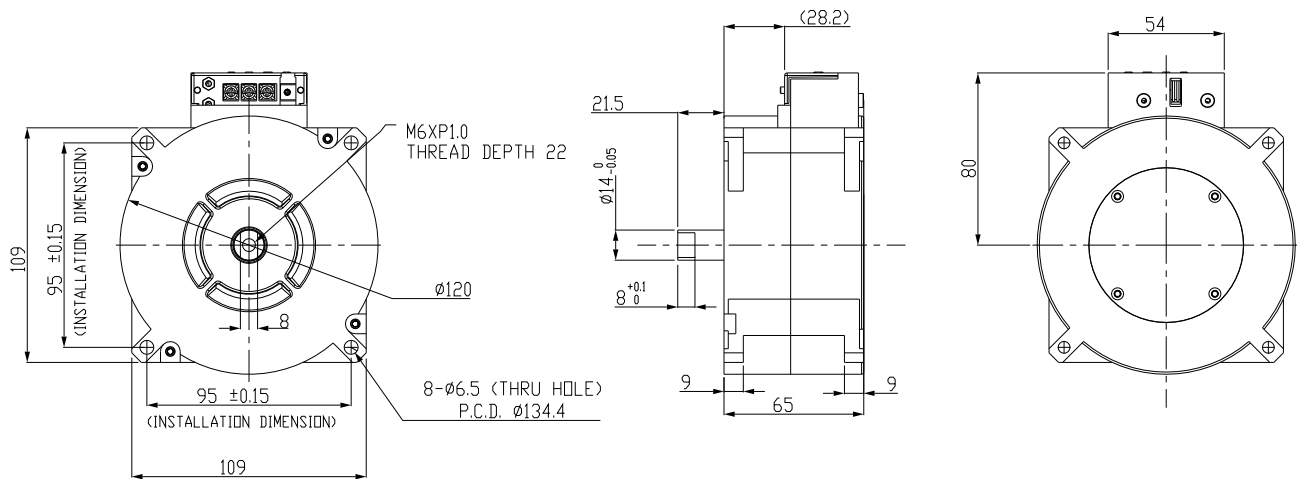


Specifications

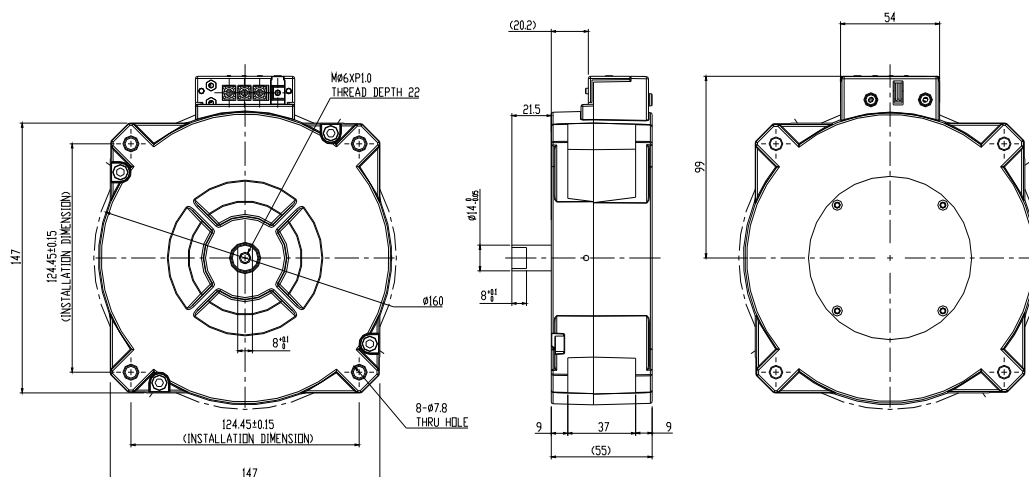
Frame		ECMD-B91207M_	ECMD-B91608M_	ECMD-B81610M_
Rated Specification	Rated Power (W)	70	80	100
	Rated Voltage (V)	220	220	220
	Rated Torque (N-m)	2.0	3.0	3.5
	Rated Speed (rpm)	350	250	280
	Rated Current (A)	0.7	1.0	0.95
Motor Specification	Pole Numbers	10	16	16
	Encoder Resolution	10 bit (256ppr)	10 bit (256ppr)	12 bit (1024ppr)
	Continuous Stall Torque (N-m)	2.0	3.0	3.5
	Max. Instant Torque (N-m)	5.0	5.0	5.5
	Max. Speed (rpm)	750	600	500
	Max. Instant Current (A)	2.5	2.5	2.5
	Rotor Moment of Inertia (Kg.m ²)	3.0X10 ⁻⁴	4.9X10 ⁻⁴	4.9X10 ⁻⁴
	Armature Resistance (Ohm)	18.7	15.8	24.3
	Armature Inductance (mH)	195	177	273
	Mechanical Time Constant (ms)	1.96	2.42	2.13
	Electrical Time Constant (ms)	10.4	11.2	11.2
	Insulation Class	B		
	Insulation Resistance	10MΩ DC500V		
	Insulation Strength	1.5 kVAC, 1 min.		
	Max. Radial Shaft Load (N)	98		
	Max. Thrust Shaft Load (N)	49		
	Weight (kg)	2.5	3.0	3.0
Environment	Maximum Winding Temperature	130°C		
	Operating Temperature	5~45°C		
	Storage Temperature	-10~50°C		
	Operating Humidity (%RH)	20~95%RH (Non-condensing)		
	Storage Humidity(%RH)	20~95%RH (Non-condensing)		
	IP Rating	IP20 (Standard) ; IP44 (Optional)		

Dimensions

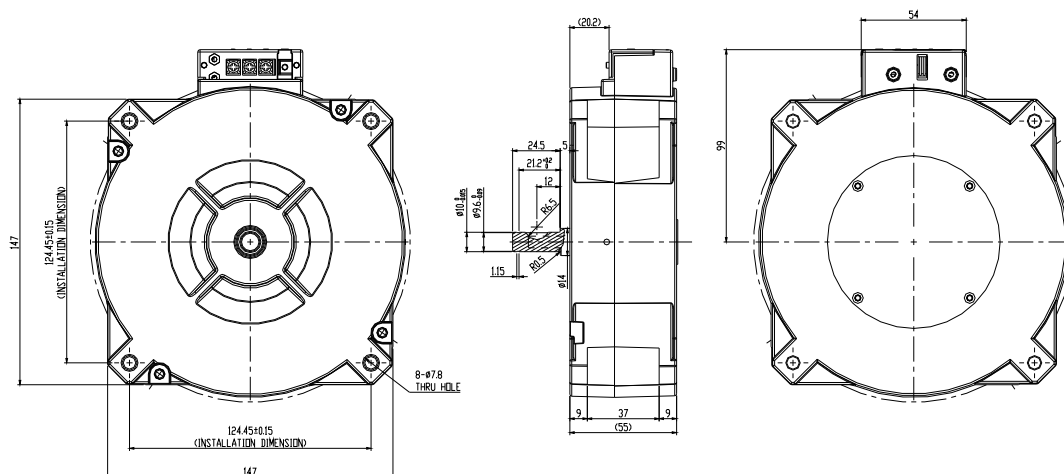
● ECMD-B91207MS



● ECMD-B91608MS/ECMD-B81610MS

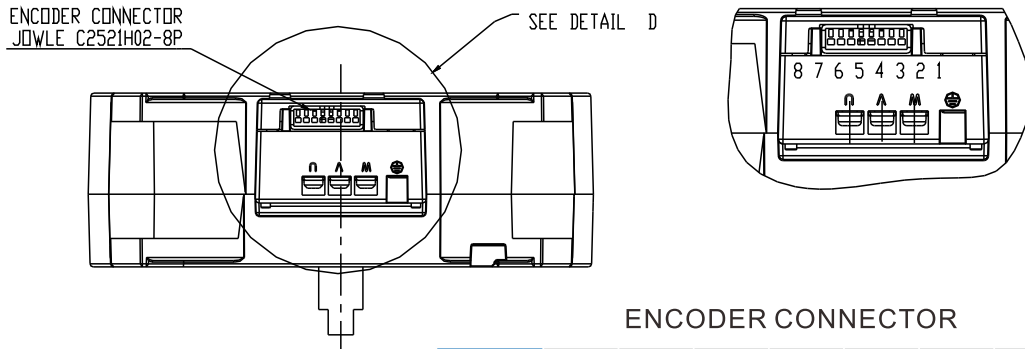


● ECMD-B81610MG



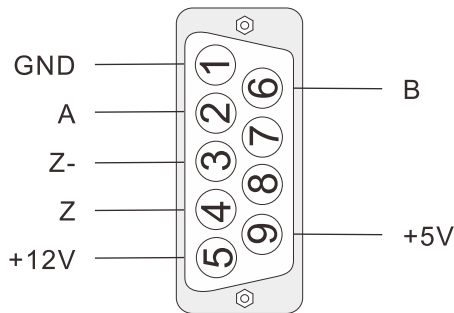
Dimensions

● ECMD Motor Pin Definitions



PIN NO.	1	2	3	4	5	6	7	8
FUNCTION	A+	A-	B+	B-	PWM+	PWM-	+5V	GND

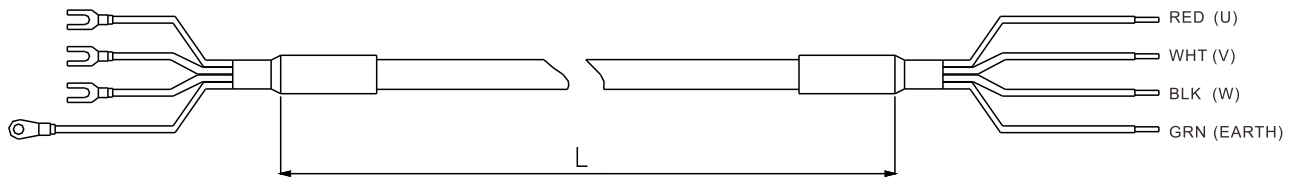
● VFD-DD Pin Definitions of Encoder Feedback Terminal



● VFD-DD & ECMD Pin Connections of Encoder Feedback Signal

	DD SERIES D-SUB PIN DEFINITION	ECMD MOTOR PIN DEFINITION	
1	GND	GND	8
2	A	A+	1
3	Z-	PWM-	6
4	Z	PWM+	5
5	+12VDC		
6	B	B+	3
7		A-	2
8		B-	4
9	+5VDC	+5VDC	7

● ECMD Motor Pin Definitions and Power Cable Specifications

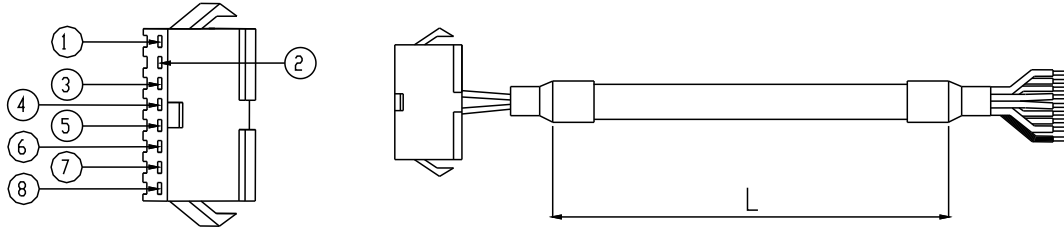


MODEL NAME	L (mm)
MEC-PG0418S	370
MEC-PG1018S	1000
MEC-PG2018S	2000
MEC-PG3018S	3000

Dimensions

● ECMD Motor

Pin Definitions and Signal Cable Specifications (Without D-SUB connector)



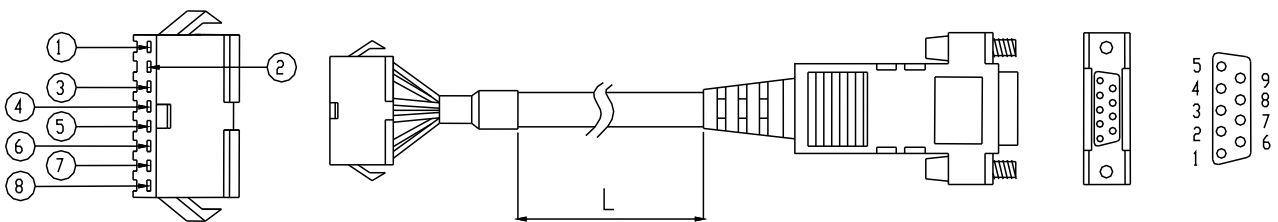
JOWLF C2522H02-8P DFTATL

JOWLF C2522H02-8P DETAIL		
COLOR	DESCRIPTION	COLOR
1	A+	BLK
2	A-	BLK/RED
3	B+	WHT
4	B-	WHT/RED
5	PWM+	ORG
6	PWM-	ORG/RED
7	+5V	BRN
8	GND	BLUE

MODEL NAME	L (mm)
MEC-SG0426S	385
MEC-SG1026S	1000
MEC-SG2026S	2000
MEC-SG3026S	3000

● ECMD Motor

Pin Definitions and Signal Cable Specifications (With D-SUB connector)



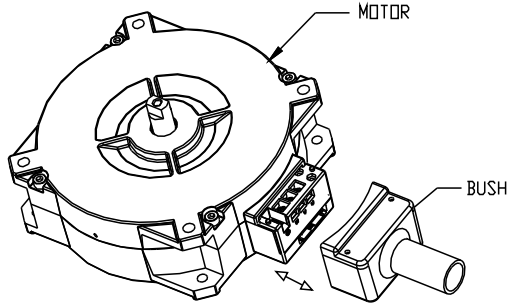
ENCODER PIN DEFINITION

JOWLF C2522H02-8P	COLOR	D-SL1B
1	A+	2
2	A-	3
3	B+	6
4	B-	7
5	PWM+	4
6	PWM-	3
7	+5V	9
8	GND	1

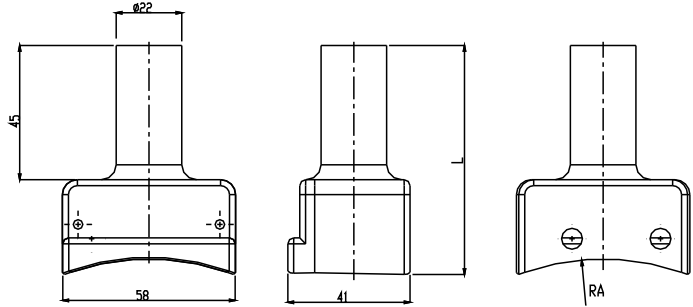
MODEL NAME	L (mm)
MEC-SG1026C	1000
MEC-SG2026G	2000
MEC-SG3026C	3000

Dimensions

● ECMD Motor Dust Cap Installation

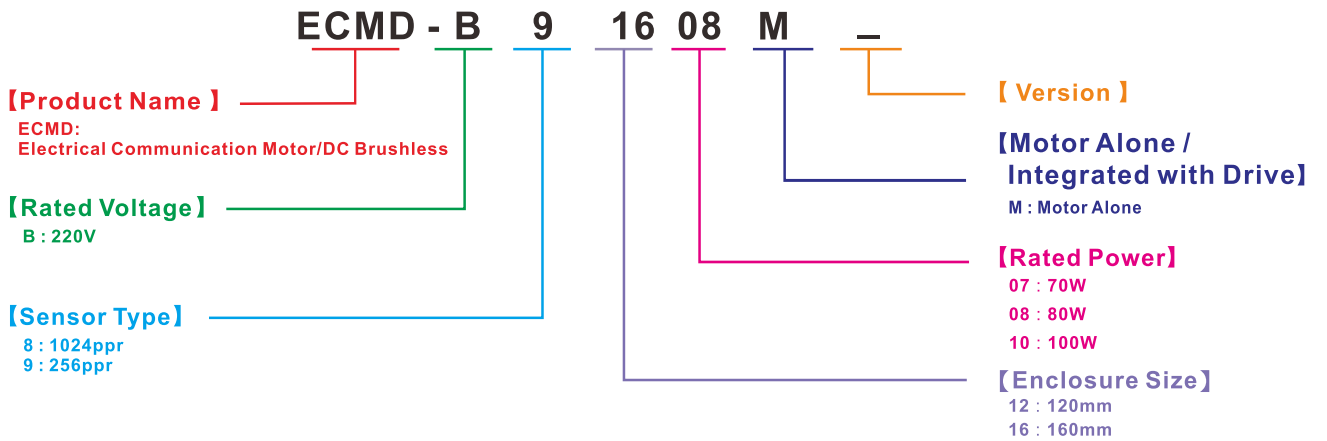


● ECMD Motor Dust Cap Specification

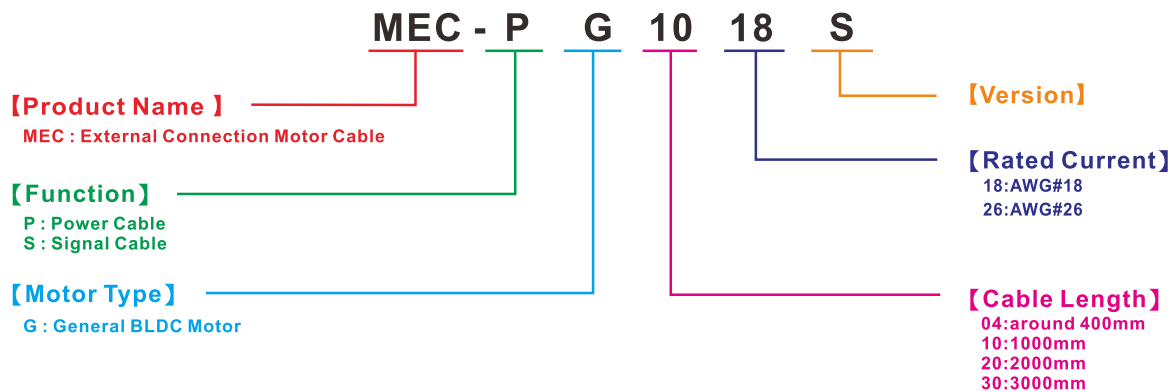


MODEL NAME	L (mm)	RA (mm)	USED ON
DPB-N7860	77.4	60	ECMD-B91207M_
DPB-N7779	76.8	79	ECMD-B81610M_ ECMD-B91608M_

Model Name of ECMD Motor



Model Name of Motor Cable



Dimensions

● Ordering Information

VFD-DD Series	Description
VFD002DD21AB	230VAC-1Phase 200W AC motor drive · supports IM & PM motors · built-in EMI filter/ brake chopper/ brake resistor
VFD004DD21AB	230VAC-1Phase 400W AC motor drive · supports IM & PM motors · built-in EMI filter/ brake chopper/ brake resistor
VFD002DD21A	230VAC-1Phase 200W AC motor drive · supports IM & PM motors · built-in EMI filter
VFD004DD21A	230VAC-1Phase 400W AC motor drive · supports IM & PM motors · built-in EMI filter
VFD002DD21E	230VAC-1Phase 200W AC motor drive · supports IM motors
VFD004DD21E	230VAC-1Phase 400W AC motor drive · supports IM motors
VFD002DD21CB	230VAC-1Phase 200W AC motor drive · supports IM & PM motors · built-in EMI filter/ brake chopper/ brake resistor/CAN*
VFD004DD21CB	230VAC-1Phase 400W AC motor drive · supports IM & PM motors · built-in EMI filter/ brake chopper/ brake resistor/CAN*
VFD002DD21C	230VAC-1Phase 200W AC motor drive · supports IM & PM motors · built-in EMI filter/CAN*
VFD004DD21C	230VAC-1Phase 400W AC motor drive · supports IM & PM motors · built-in EMI filter/CAN*

* CANOpen protocol is provided by case, please contact with Industrial Automation Business Group

ECMD Motor	Description
ECMD-B91207MS	Servo motor enclosure size 120mm, rated power 70W, torque 2.0 N-m, speed 350 rpm
ECMD-B91608MS	Servo motor enclosure size 160mm, rated power 80W, torque 3.0 N-m, speed 250 rpm
ECMD-B81610MS	Servo motor enclosure size 160mm, rated power 100W, torque 3.5 N-m, speed 280 rpm
ECMD-B81610MG	Servo motor enclosure size 160mm, rated power 100W, torque 3.5 N-m, speed 280 rpm (different shaft shape)

* Without power cable and encoder cable

Accessories	Description
MEC-SG0426S	385mm ECMD motor encoder cable · without D-SUB connector
MEC-SG1026S	1,000mm ECMD motor encoder cable · without D-SUB connector
MEC-SG2026S	2,000mm ECMD motor encoder cable · without D-SUB connector
MEC-SG3026S	3,000mm ECMD motor encoder cable · without D-SUB connector
MEC-SG1026C	1,000mm ECMD motor encoder cable · with D-SUB connector
MEC-SG2026G	2,000mm ECMD motor encoder cable · with D-SUB connector
MEC-SG3026C	3,000mm ECMD motor encoder cable · with D-SUB connector
MEC-PG0418S	370mm ECMD motor power cable
MEC-PG1018S	1,000mm ECMD motor power cable
MEC-PG2018S	2,000mm ECMD motor power cable
MEC-PG3018S	3,000mm ECMD motor power cable
DPB-N7860	ECMD-B91207MS dust Cap, IP44
DPB-N7779	ECMD-B91608M_/ECMD-B81610M_dust Cap, IP44



Smarter. Greener. Together.

Industrial Automation Headquarters

Delta Electronics, Inc.

Taoyuan Technology Center
No.18, Xinglong Rd., Taoyuan City,
Taoyuan County 33068, Taiwan
TEL: 886-3-362-6301 / FAX: 886-3-371-6301

Asia

Delta Electronics (Jiangsu) Ltd.

Wujiang Plant 3
1688 Jiangxing East Road,
Wujiang Economic Development Zone
Wujiang City, Jiang Su Province, P.R.C. 215200
TEL: 86-512-6340-3008 / FAX: 86-769-6340-7290

Delta Greentech (China) Co., Ltd.

238 Min-Xia Road, Pudong District,
ShangHai, P.R.C. 201209
TEL: 86-21-58635678 / FAX: 86-21-58630003

Delta Electronics (Japan), Inc.

Tokyo Office
2-1-14 Minato-ku Shibadaimon,
Tokyo 105-0012, Japan
TEL: 81-3-5733-1111 / FAX: 81-3-5733-1211

Delta Electronics (Korea), Inc.

1511, Byucksan Digital Valley 6-cha, Gasan-dong,
Geumcheon-gu, Seoul, Korea, 153-704
TEL: 82-2-515-5303 / FAX: 82-2-515-5302

Delta Electronics Int'l (S) Pte Ltd.

4 Kaki Bukit Ave 1, #05-05, Singapore 417939
TEL: 65-6747-5155 / FAX: 65-6744-9228

Delta Electronics (India) Pvt. Ltd.

Plot No 43 Sector 35, HSIIDC
Gurgaon, PIN 122001, Haryana, India
TEL : 91-124-4874900 / FAX : 91-124-4874945

Americas

Delta Products Corporation (USA)

Raleigh Office
P.O. Box 12173, 5101 Davis Drive,
Research Triangle Park, NC 27709, U.S.A.
TEL: 1-919-767-3800 / FAX: 1-919-767-8080

Delta Greentech (Brasil) S.A.

Sao Paulo Office
Rua Itapeva, 26 - 3° andar Edificio Itapeva One-Bela Vista
01332-000-São Paulo-SP-Brazil
TEL: 55 11 3568-3855 / FAX: 55 11 3568-3865

Europe

Deltronics (The Netherlands) B.V.

Eindhoven Office
De Witbogt 15, 5652 AG Eindhoven, The Netherlands
TEL: 31-40-2592850 / FAX: 31-40-2592851

*We reserve the right to change the information in this catalogue without prior notice.