

CN-6000 Series

Features

- Multi-input
 - CN-610□-□
 - : Thermocouple 12 types, RTD 5 types, Analog (mV, V, mA) 6 types
 - CN-640□-□ : 0 to 50.00 kHz
- Improves visibility with negative LCD
 - : 12 segment, 3 colors (selectable red, green, yellow)
- Displays input type and unit on display part
- Various outputs
 - : 4EA, 2EA, 1EA alarm output, 0-20 mA transmission output (adjustable insulation, output range), 0-10 VDC voltage output (adjustable insulation, output range)
- Various functions
 - : High/Low peak monitoring, sensor disconnection alarm output (burn-out), input correction, user input range, display scale, transmission output scale, analog output range setting
- Built-in power supply for sensor (24 VDC)

CE (except CN-640□-□)



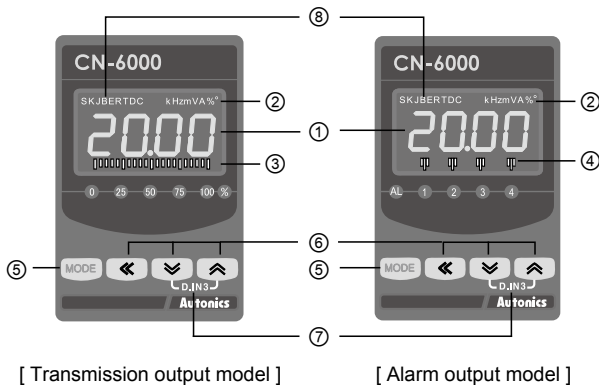
! Please read "Caution for your safety" in operation manual before using this unit.

Ordering information

CN - 6 10 0 - C1

Output	C1	Transmission output (0-20 mA) 1EA
	C2	Transmission output (0-20 mA) 2EA
	V1	Transmission output (0-10 V) 1EA
	V2	Transmission output (0-10 V) 2EA
Alarm output	R1	Alarm output 1EA
	R2	Alarm output 2EA
	R4	Alarm output 4EA
Supply power	0	100-240 VAC 50 to 60 Hz
	1	24 VDC
Input	10	Universal input
	40	Pulse input (※option)
Item	CN-6	Isolated Converter

Part descriptions

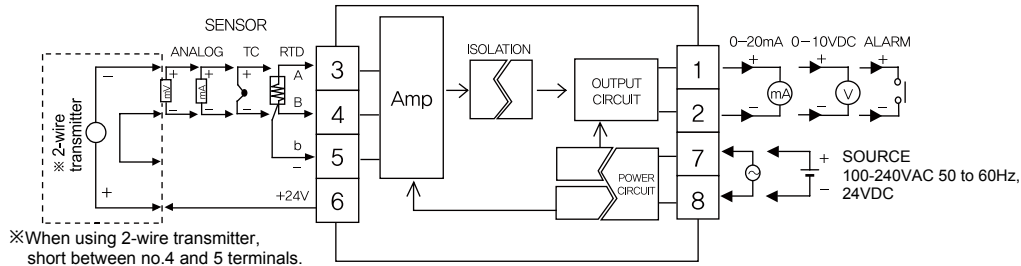


- ① Display part (selectable red, green, yellow)
 - Run mode: Displays current measured value.
 - Parameter set mode: Displays parameters and SV.
- ② Unit display part (red)
- ③ Output scale Bar : For transmission output mode, displays output as % by scale bars.
- ④ Alarm output indicator: Turns ON when the alarm output is on.
- ⑤ **MODE** key: Used to enter parameter set mode, move to parameters, save SV and return to RUN mode.
- ⑥ **←**, **↕**, **→** key: Used to change parameter SV.
- ⑦ **D.IN3** : Press the **↕** and **→** keys for 3 sec. at the same time, it operates the set function (alarm clear, display hold, zero-point adjustment) at [d] - k].
- ⑧ Input type (only for CN-610□-□)
 - : Turns ON the selected temperature sensor type at [j] N - P] parameter. (In case of thermocouple type, L, N, U, P types are not displayed. In case of RTD type, RTD is displayed.)
 - (In case of thermocouple type, L, N, U, P types are not displayed. In case of RTD type, RTD is displayed.)

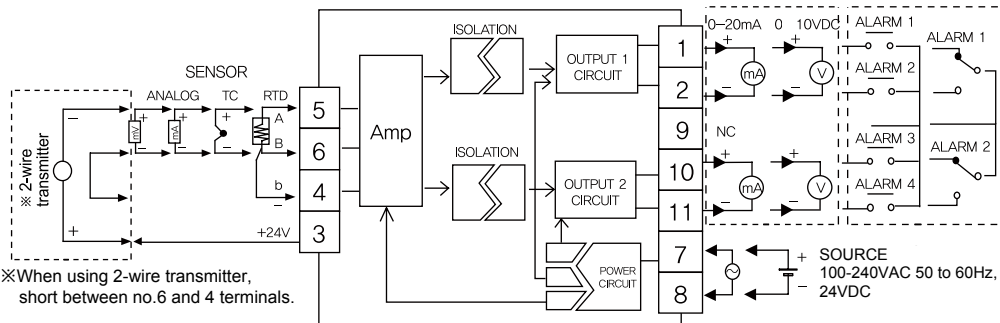
Connections

■ CN-610□-□

● 8PIN

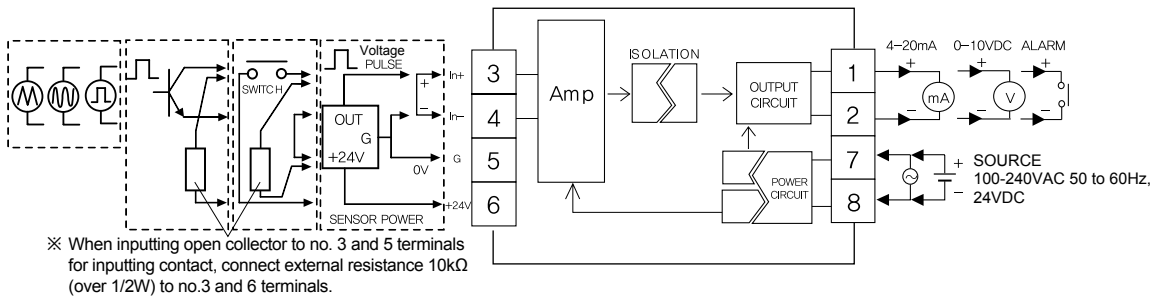


● 11PIN

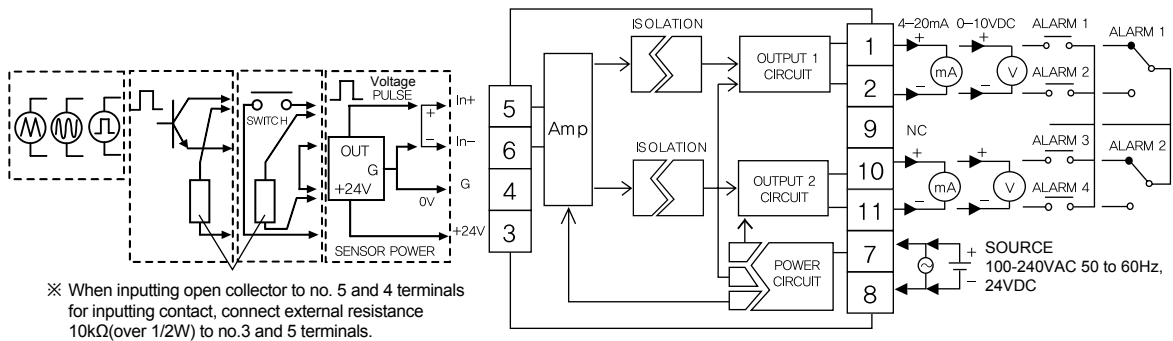


■ CN-640□-□

● 8PIN



● 11PIN



A. Recorder

B. Indicator

C. Converter

D. Controller

E. Thyristor unit

F. Pressure transmitter

G. Temp. transmitter

H. Accessories

CN-6000

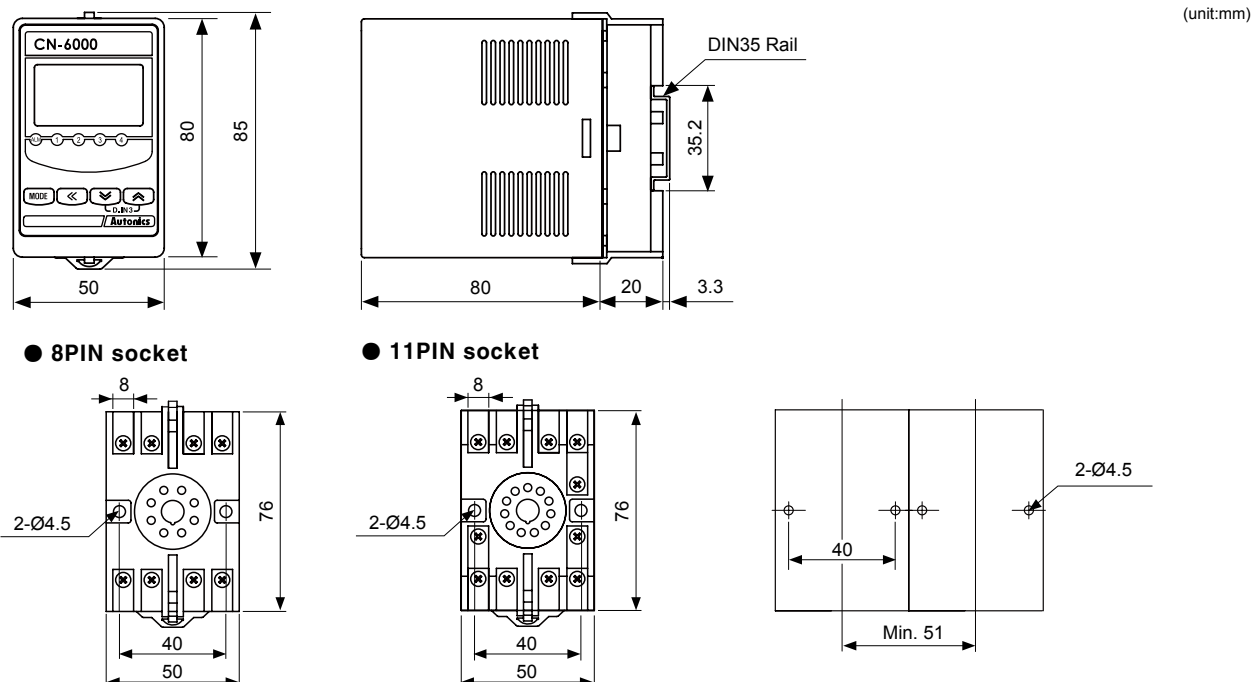
CN-6000 Series

Specifications

Model		CN-610□-□	CN-640□-□
Power supply	AC voltage	100-240 VAC 50 to 60 Hz	
	DC voltage	24 VDC	
Allowable voltage range		90 to 110% of rated voltage	
Power consumption	AC voltage	Max. 8 VA	
	DC voltage	Max. 3 W	
Display method		4digit : 12 Segment LCD Display (selectable red, green, yellow) Graphic bar and Input/Unit display part (red)	
Character size		Display part : 6.4×11.0 mm (12 Segment), Input/Unit display part : 1.4×2.75 mm (unit)	
Input type	RTD	JPt100Ω, DPt100Ω, DPt50Ω, Cu50Ω, Cu100Ω	
	Thermocouple	K, J, E, T, R, B, S, N, C, L, U, PLII	
	Analog	• Voltage : -50.0-50.0 mV, -199.9-200.0 mV, -1.000-1.000 V, -1.00-10.00 V • Current : 0.00-20.00 mA, 4.00-20.00 mA	
	Pulse input	—	0 to 50.00 kHz(input impedance 10 kΩ)
Output	Transmission output	0-20 mA(adjustable output range), load resistance max. 600 Ω (accuracy: ±0.3 F.S., resolutions: 8000) 0-10 VDC(adjustable output range), load resistance max. 10 kΩ (accuracy: ±0.3 F.S., resolutions: 8000)	
	Alarm output	1-point : Relay contact capacity 250 VAC 5 A 1 a, 2-point : Relay contact capacity 250 VAC 3 A 1 c, 4-point : Relay contact capacity 250 VAC 5 A 1 a	
Display accuracy		±0.2%F.S. ±1digit (25±5 °C), ±0.3%F.S. ±1digit (-10 to 20 °C, 30 to 50 °C) ※CN-610□-□ : For TC, the input below -100 °C is [±0.4%F.S.] ±1digit (TC-T, TC-U is max. ±2.0 °C)	
Setting method		Set by front keys	
Sampling cycle		Analog input : 100 ms, Temperature sensor input : 250 ms	—
Display cycle		—	Same with pulse input cycle When pulse input cycle is over 10 sec., it is updated by every 10 sec.
Dielectric voltage		2000 VAC 50/60 Hz for 1 min. (between input terminal and power terminal)	
Vibration		0.75 mm amplitude at frequency of 5 to 55 Hz (for 1 min.) in each of X, Y, Z directions for 2 hours	
Insulation resistance		Min. 100 MΩ (at 500VDC megger)	
Noise resistance		Square shaped noise by noise simulator (pulse width 1 μs) ±2 kV	
Memory retention		Approx. 10 years (non-volatile semiconductor memory type)	
Environment	Ambient temperature	-10 to 50 °C, storage : -20 to 60 °C	
	Ambient humidity	35 to 85%RH, storage : 35 to 85%RH	
Approval		CE	—
Unit weight		Approx. 160 g	Approx. 200 g

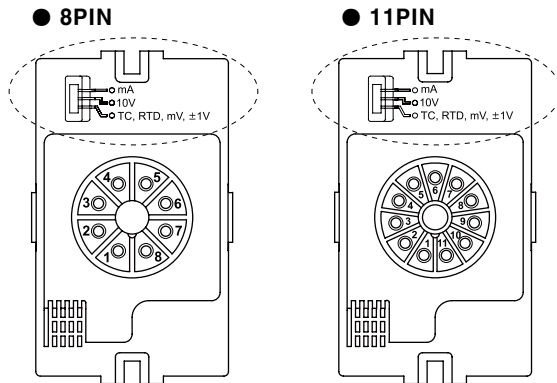
※ Environment resistance is rated at no freezing or condensation.

Dimensions



Input type and range

◎ Input type selection switch



- mA : Select it for 0(4)-20 mA input
 - 10 V : Select it for -1 V-10 V input
 - TC, RTD, mV, $\pm 1V$: Select it for RTD, TC temperature sensor or $\pm 1V$, mV input
- ※ The pulse input model (CN-640□-□) does not have this input type selection switch.

- This product is multi-input. Select the desired input type by the input type selection switch and select the input type at [IN-P] parameter.
- The selection of the input type selection switch and that of [IN-P] parameter should be same to display correct value. Factory default is 4-20 mA.

■ CN-610□-□ (universal input)

Input type		Parameter	Input range (°C)	Input range (°F)
Thermocouple	K(CA)	EC.K 1	-200 to 1350	-328 to 2462
		EC.K 2	-199.9 to 999.9	-328 to 1832
	J(IC)	EC-J	-199.9 to 800.0	-328 to 1472
	E(CR)	EC-E	-199.9 to 800.0	-328 to 1472
	T(CC)	EC-t	-199.9 to 400.0	-199.9 to 752.0
	B(PR)	EC-b	400 to 1800	752 to 3272
	R(PR)	EC-R	0 to 1750	32 to 3182
	S(PR)	EC-S	0 to 1750	32 to 3182
	N(NN)	EC-N	-200 to 1300	-328 to 2372
	C(W5)	EC-C	0 to 2300	32 to 4172
	L(IC)	EC-L	-199.9 to 900.0	-328 to 1652
	U(CC)	EC-U	-199.9 to 400.0	-199.9 to 752.0
	Platinel II	EC-P	0 to 1390	32 to 2534
RTD	Cu50 Ω	CU.50	-199.9 to 200.0	-199.9 to 392.0
	Cu100 Ω	CU.10	-199.9 to 200.0	-199.9 to 392.0
	JPt100 Ω	JPE.1	-199.9 to 600.0	-328 to 1112
	DPt50 Ω	DPE.5	-199.9 to 600.0	-328 to 1112
	DPt100 Ω	DPE.1	-199.9 to 850.0	-328 to 1530
Analog	Current	0.00 - 20.00 mA	-1999 to 9999 (display range depends on the decimal point position)	
		4.00 - 20.00 mA		
	Voltage	-50.0 - 50.0 mV		
		-199.9 - 200.0 mV		
		-1.000 - 1.000 V		
		-1.00 - 10.00 V		

■ CN-640□-□ (pulse input)

Input type	Measuring cycle	Parameter	Range
Pulse	0 to 9.999 Hz	Max. 10 sec.	-1999 to 9999 (display range is variable according to decimal point position.)
	0 to 99.99 Hz	Max. 10 sec.	
	0 to 999.9 Hz	Max. 10 sec.	
	0 to 9.999 kHz	Max. 1 sec.	
	0 to 50.00 kHz	Max. 0.1 sec.	

※ Pulse input: Non-contact 0 to 50 kHz, Contact 0 to 45 Hz (displays 0 for below 0.1Hz)

※ Input Low Level : 0-1 VDC / Input High Level : 5-24 VDC

※ Duty Ratio : 30 to 70%

※ The principle of displaying frequency is converting the time difference between input pulses to the frequency. 1 sec. is required to measure 1 Hz, and 10 sec. is required to measure 0.1 Hz. Therefore, it is normal that the lower pulse, the slower response speed. In case of 0 Hz, if there are no pulses for over 2 sec., it is programmed to display 0 Hz to prevent slow response speed.

A. Recorder

B. Indicator

C. Converter

D. Controller

E. Thyristor unit

F. Pressure transmitter

G. Temp. transmitter

H. Accessories

CN-6000

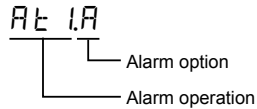
Functions

■ Alarm [AL-1, AL-2, AL-3, AL-4]

This product has 1 alarm or 2 or 4 alarms to operate individually when the value is too high or low. Alarm function is set by the combination of alarm operation and alarm option.

To clear alarm, use digital input function (setting as $AL.RE$ for $dI-K$) or turn the power OFF and ON.

※For the model without alarm output (CN-6□□-C1/C2/V1/V2), these parameters are not displayed.



◎ Alarm operation

Mode	Name	Alarm operation	Description
$AL.0$	—	—	No alarm operation
$AL.1$	High limit alarm	 OFF ON High limit alarm value: 800°C PV	PV ≥ alarm temperature, alarm is ON
$AL.2$ *1	Low limit alarm	 ON OFF PV Low limit alarm value: 200°C	PV ≤ alarm temperature, alarm is ON
SbA	Sensor break alarm	—	It will be ON when it detects sensor disconnection. Sensor break alarm does not have alarm option.

※ 1. Only for CN-610□-□. ※H: Alarm output hysteresis

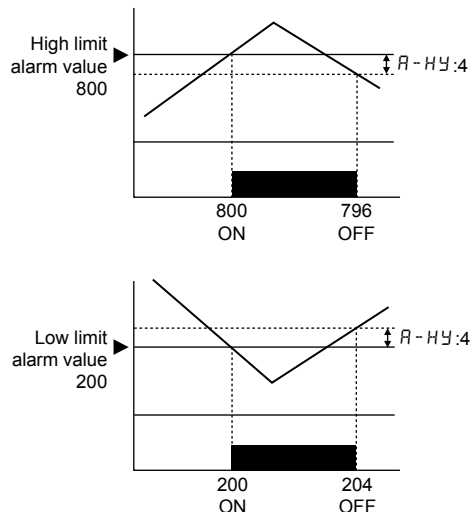
◎ Alarm option

Mode	Name	Descriptions
$AL.a$	Standard alarm	If it is an alarm condition, alarm output is ON. Unless an alarm condition, alarm output is OFF.
$AL.b$	Alarm latch	If it is an alarm condition, alarm output is ON. Before clearing the alarm, an ON condition is latched. (Holding the alarm output)
$AL.c$	Standby sequence	First alarm condition is ignored. From the second alarm condition, standard alarm operates. When power is ON and it is an alarm condition, it is ignored. From the second alarm condition, standard alarm operates.
$AL.d$	Alarm latch and standby sequence	If it is an alarm condition, it operates both alarm latch and standby sequence. When power is ON and it is an alarm condition, it is ignored. From the second alarm condition, alarm latch operates.

■ Alarm output hysteresis [Program mode: $A-HY$]

Set the interval of ON/OFF alarm output. The set hysteresis is applied to AL1 to AL4 and it is as below.

※Ex) $A-HY$ 4, high limit alarm value: 800, low limit alarm value: 200



■ High/Low peak monitoring [Monitoring mode: $HPEK$, $LPEK$]

This function is to save high/low peak to check the invisible abnormal condition of system at [$HPEK$] or [$LPEK$] in monitoring mode.

When the high/low peak is out of the temperature range, it displays $HHHH$ or $LLLL$.

To initialize high/low peak, press the \checkmark , \boxtimes keys at the same time for 3 sec. at [$HPEK$] or [$LPEK$].

In this case, peak value is the present input value.

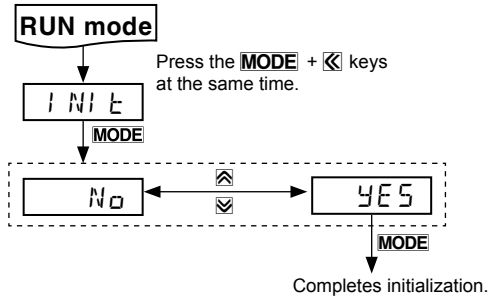
■ Error

Display	Descriptions	Troubleshooting
$LLLL$	Flashes when measured sensor input is lower than the temperature range.	When input is moved within the temperature range, it is cleared.
$HHHH$	Flashes when measured sensor input is higher than the temperature range	
$bURN$ *1	Flashes when the sensor is break or not connected.	Check temperature sensor connection.
ERR	Flashes when there is error to SV.	Check set conditions and re-set it.
$ERR2$	Flashes when [$IN-P$] setting and input type selection switch setting are not same.	Check input type.

※ 1. Only for CN-610□-□.

Parameter initialization

To initialize all parameter as factory default, press the **MODE** and **☐** keys at the same time in RUN mode and it enters initialization parameter.



※ Parameter initialization is available only when lock [LOCK] is set as OFF.

Temperature unit [Program mode : UNIt]

Temperature unit (°C/°F) is selectable. When changing temperature unit, user input range, display scale, output scale, alarm SV are initialized. You should set the parameters again for your purpose.

※ When selecting analog input, this parameter [UNIt] is not displayed.

Front display unit [Program mode : dUNIt]

- When selecting analog input, select the unit (mV, V, mA, A, °C, °F, %) of display value. (CN-610□-□)
- When selecting pulse input, select the unit (kHz, Hz, %) of display value. (CN-640□-□)
- When not displaying unit, set OFF and it turns OFF all indicators.

User input range

[Program mode : L-RG, H-RG]

When selecting analog input, you can set the input range for your purpose. Set low limit input value [L-RG] and high limit input value [H-RG] to limit the input range.

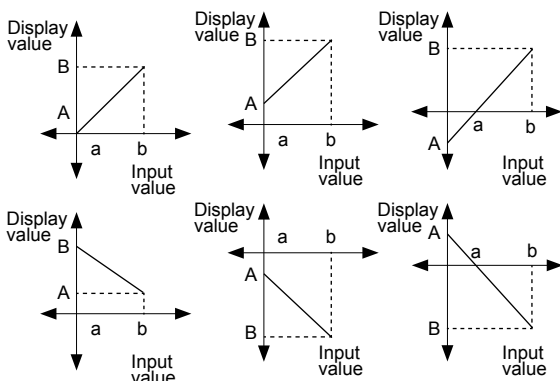
- Set conditions :
Low limit input value [L-RG] + 20% F.S. < High limit input value [H-RG]

Decimal point [Program mode: dP]

It is able to change decimal point position for high/low limit scale value. It changes decimal point position of display value.

Display scale [Program mode: L-SC, H-SC]

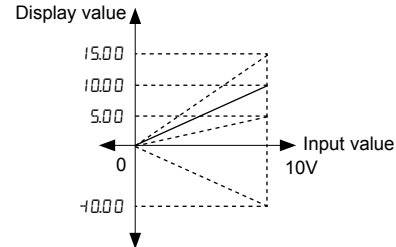
For analog input, this function is to set (-1999 to 9999) for particular high/low limit value in order to display high/low limit value of measurement input. If measurement inputs are 'a' and 'b' and particular values are 'A' and 'B', it will display a=A, b=B as below graphs.



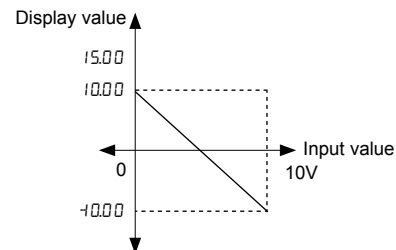
Display scale function is able to change display value for max./min. measured input by setting high limit scale [H-SC] and low limit scale [L-SC] in program mode.

※Ex) Set high/low scale value (input range is 0 to 10V)

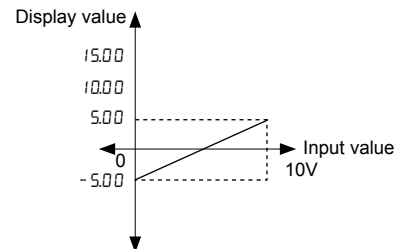
- L-SC = 0.00
- H-SC = 5.00, 10.00, 15.00, 40.00



- L-SC = 10.00, H-SC = 40.00



- L-SC = -5.00, H-SC = 5.00



※ When changing input type, high/low scale is changed as factory default.

Input correction [Program mode: IN-b]

This function is to correct the error occurring from a thermocouple, a RTD or analog input out of allowable error range of this unit.

This is also available to correct error when a sensor cannot contact the subject position by calculating the error temperature.

Variable temperature sensors have accuracy level. Because high accuracy type is expensive, standard thermocouples are generally used.

In this case, temperature sensor may occur error. By executing this function, you can get more accurate temperature.

When executing input correction function, you should measure the error from a sensor accurately. If the measured error is not correct, error may be greater.

Ex) When measured temperature is 4 °C and actual temperature is 0 °C. Set IN-b as -4, and display value is 0 °C.

A. Recorder
B. Indicator
C. Converter
D. Controller
E. Thyristor unit
F. Pressure transmitter
G. Temp. transmitter
H. Accessories

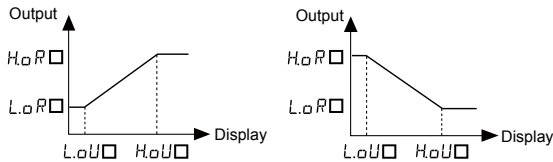
CN-6000 Series

Transmission output range [Program mode: LOR□, HOR□] Transmission output scale [Program mode: LOU□, HOU□]

This function is to set output scale and range for display value for transmission output.

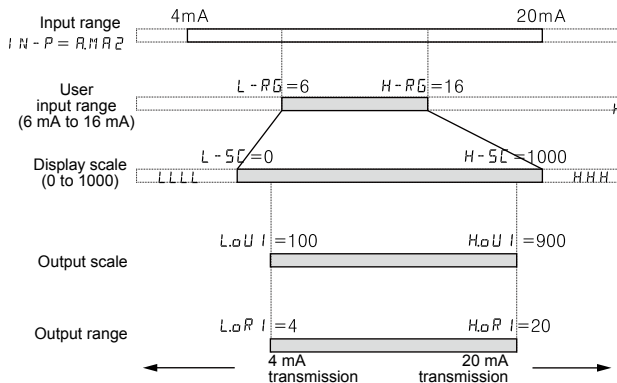
When the input value set at LOU1 / LOU2 is displayed, the output value set at LOR1 / LOR2 is transmitted.

When the input value set at HOU1 / HOU2 is displayed, the output value set at HOR1 / HOR2 is transmitted.



※Relation among input range, user input range, display scale, transmission scale, and output range

The below figure is the example for 4 to 20 mA input and 0-20 mA transmission output.



When display value is 100, it outputs 4 mA.
When display value is 900, it outputs 20 mA.

Bar display channel [Program mode: BAR, User level: HIGH]

This function is to select OUT1 or OUT2 for Bar display of transmission output scale.

※ Only for the model which has two transmission outputs (CN-6□□-C2/V2), this parameter is displayed.

Input and transmission output extension [Program mode: E%□]

This function is to extend analog input and 4 to 20 mA, 0-10 VDC transmission output to 5% or 10% range.

The below table is the case of 4 to 20 mA transmission output range setting.

Mode	Operation
0P	Outputs 4 to 20 mA within analog input range.
5P	Outputs 3.2 to 20.8 mA for 5% out of the analog input range.
10P	Outputs 2.4 to 21.6 mA for 10% out of the analog input range.

※ This parameter is not displayed for not transmission output (4-20 mA, 0-10 V) model, or for selecting temperature sensor input.

※ Below 0 mA, 0 VDC cannot extend.

※ ±1 VDC, 10 VDC input are available to extend only 5%.

Input special function [Program mode: INSF]

When selecting analog input, this function is to display the calculated actual value by square, root ($\sqrt{\quad}$), or two unit function (TUF) as display value.

Parameter	Functions	Graph	Applications
LINE	Outputs as input value		Standard characteristics. Input for linearity.
ROOT	Outputs the rooted ($\sqrt{\quad}$) input value		Used for measuring flows by pressure signal.
SQRR	Outputs the squared input value		Used for outputting differential pressure by flow signal.
TUF	Refer to 'Two unit function'		

※ Display value and mA output value for SQRR:

$$\text{Display value} = \left(\frac{\text{Input value} - L - RG}{H - RG - L - RG} \right)^2 \times (H - SC - L - SC) + L - SC$$

(output value)

※ Display value and mA output value for ROOT:

$$\text{Display value} = \left(\frac{\text{Input value} - L - RG}{H - RG - L - RG} \right) \times (H - SC - L - SC) + L - SC$$

(output value)

Two Unit Function [TUF]

When connecting a pressure sensor, compound pressure which is below atmospheric pressure (0) is for vacuum as mmHg and which is atmospheric pressure or over it is for positive pressure as kg/cm².

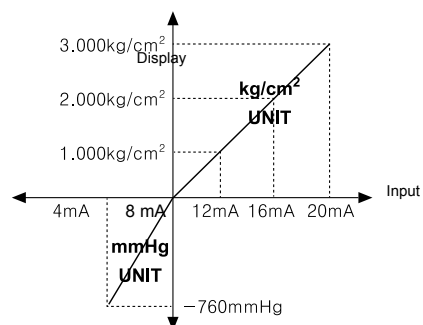
Atmospheric pressure is 0kg/cm². When this unit does not display 0kg/cm², you can correct zero-point adjustment function.

When using two unit function, L - SC is fixed as -760. L - SC parameter is displayed but you cannot set this. You can set H - SC within 0 to 9999 range.

Atmospheric pressure (0) setting for Two Unit Function [Program mode: QPSI, INSF: TUF]

This function is to set analog input value for atmospheric pressure (0) at analog input range.

Ex) When pressure range is -760.0 mmHg to 3.000 kg/cm², and pressure transmitter outputs 4-20 mA and it outputs 8.00 mA for atmospheric pressure (0), set input special function as TUF, H - SC: 3000, dP: 0000, QPSI: 0000. This unit displays for 4 mA input as -760, for 8 mA input as 0000 and 20 mA input as 3000.



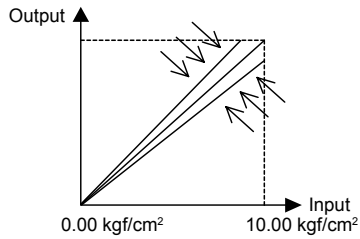
※ This function is only for CN-610□-□.

Span correction

[Program mode: *SPAN*, User level: *HI BH*]

It corrects the error of display value for 100% input.

- Set range : 0.900 to 1.100



Digital filter

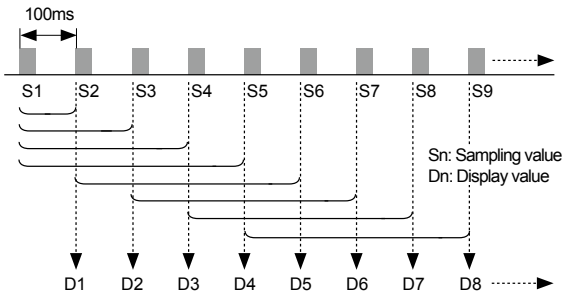
[Program mode: *AVF/MRVF*, User level: *HI BH*]

Digital filter is able to stably display and output the noise from input line and irregular signals.

Normal average filter *AVF* displays the averaged *N* times of input values periodically. Moving average filter *MRVF* displays the moving averaged *N* times of input values in real time.

- Filter set range : 01 to 16

※When setting as 01, digital filter function does not run.



D1=S1, D2=S2, D3=S3

: Initial operation before averaging 4

$$D4 = \frac{S1+S2+S3+S4}{4} \quad D5 = \frac{S2+S3+S4+S5}{4}$$

$$D6 = \frac{S3+S4+S5+S6}{4} \quad D7 = \frac{S4+S5+S6+S7}{4}$$

$$D8 = \frac{S5+S6+S7+S8}{4}$$

Digital input [Program mode: *dI-k*]

By front digital input keys (D.IN3: ☒ + ☓ for 3 sec.), one of three functions executes as the below table.

Function	Operaiton
<i>ALRE</i> Alarm clear	<ul style="list-style-type: none"> ※ When alarm is ON in RUN mode, it clears alarm forcibly. (It applies only for alarm latch, alarm latch and standby sequence options.) ※ Alarm clear operates only when the value is out of the alarm value range. After clearing alarm, alarm operates its option normally. ※ For the model without alarm output (CN-6□□-C1/C2/V1/V2), this parameter is not displayed.
<i>HoLd</i> Display HOLD	Temporarily indicated value is stopped in order to confirm indicated value in unstable input.
<i>ZERo</i> Zero-point adjustment	Set preset display value as 0. This function is related with input correction [<i>i N-b</i>]. When executing zero adjustment function in display value as 4, input correction value <i>i N-b</i> is set -4 automatically.

Display color [Program mode: *CLoR*]

This function is to change display color for occurring error, operating alarm automatically. User can check the status of this unit directly.

※ Color of monitoring mode, program mode is red.

◎ **EVENT: When occurring alarm and displaying *HHHH, LLLL, bURN, ERR***

Parameter	Display color	
<i>SV</i>	RUN	EVENT
<i>REd</i>	Red	Red
<i>GRN</i>	Green	Green
<i>YELo</i>	Yellow	Yellow
<i>R--G</i>	Red	Green
<i>G--R</i>	Green	Red

Alarm output for disconnecting input sensor [Program mode: *bURN*]

When disconnecting input sensor, you can set the status of transmission output.

It flashes *bURN* and it outputs the set value of *HHHH* or *LLLL*.

For transmission output, it outputs the set max./min. value of I/O expansion function.

Parameter	SV	Transmission output (4-20 mA)	Alarm output	
<i>bURN</i>	<i>oN</i>	20 mA	High limit alarm ON	Low limit alarm OFF
	<i>oFF</i>	4 mA	High limit alarm OFF	Low limit alarm ON

Lock [Program mode: *LoCK*]

It limits to check parameter set value and to change it.

	<i>oFF</i>	<i>LoC1</i>	<i>LoC2</i>
Program mode	●	◐	○
Monitoring mode	●	●	◐

● : Enable to check/set

◐ : Enable to check, disable to set,

○ : Disable to check

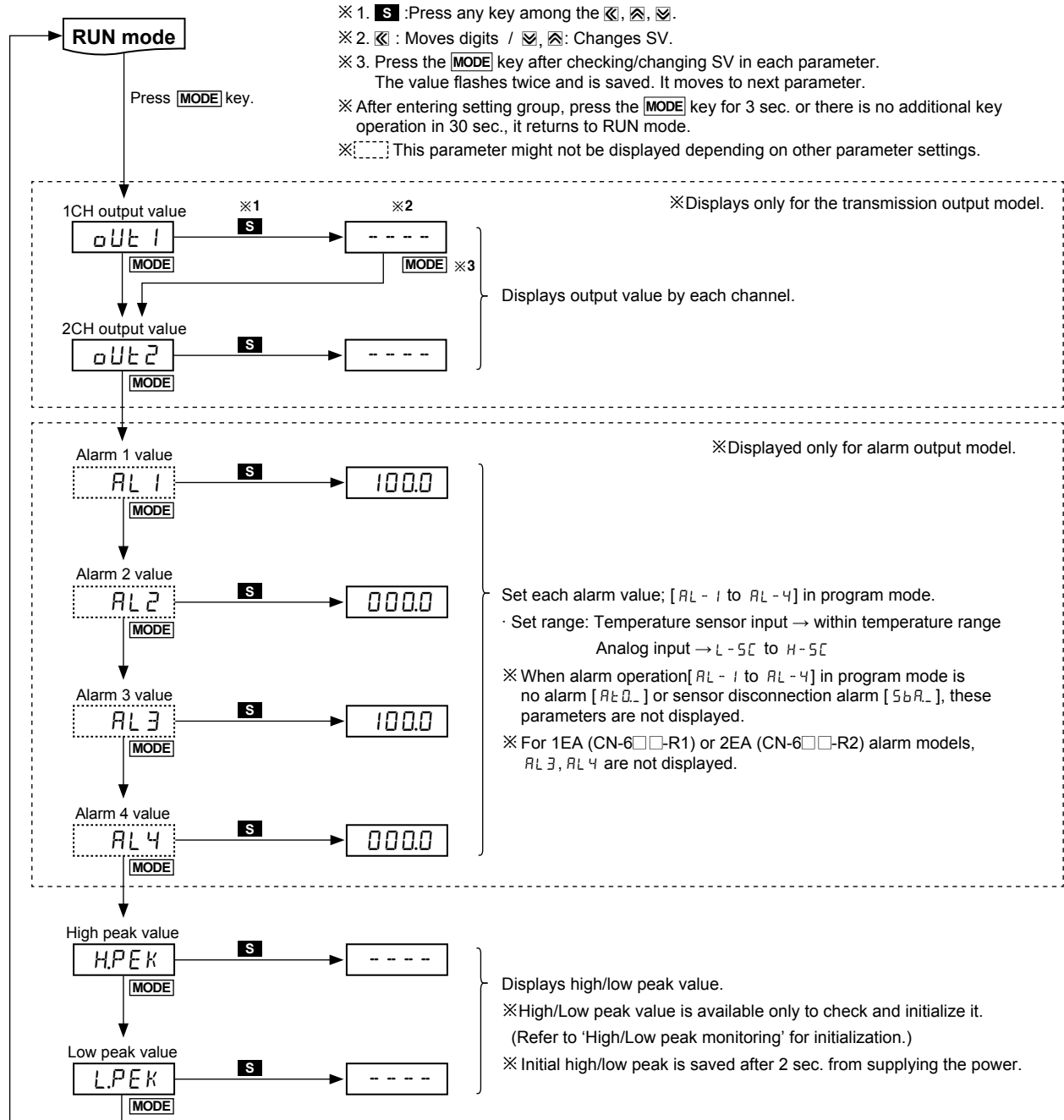
※ In *LoC2*, only *LoCK* parameter displays in program mode.

A. Recorder
B. Indicator
C. Converter
D. Controller
E. Thyristor unit
F. Pressure transmitter
G. Temp. transmitter
H. Accessories

CN-6000

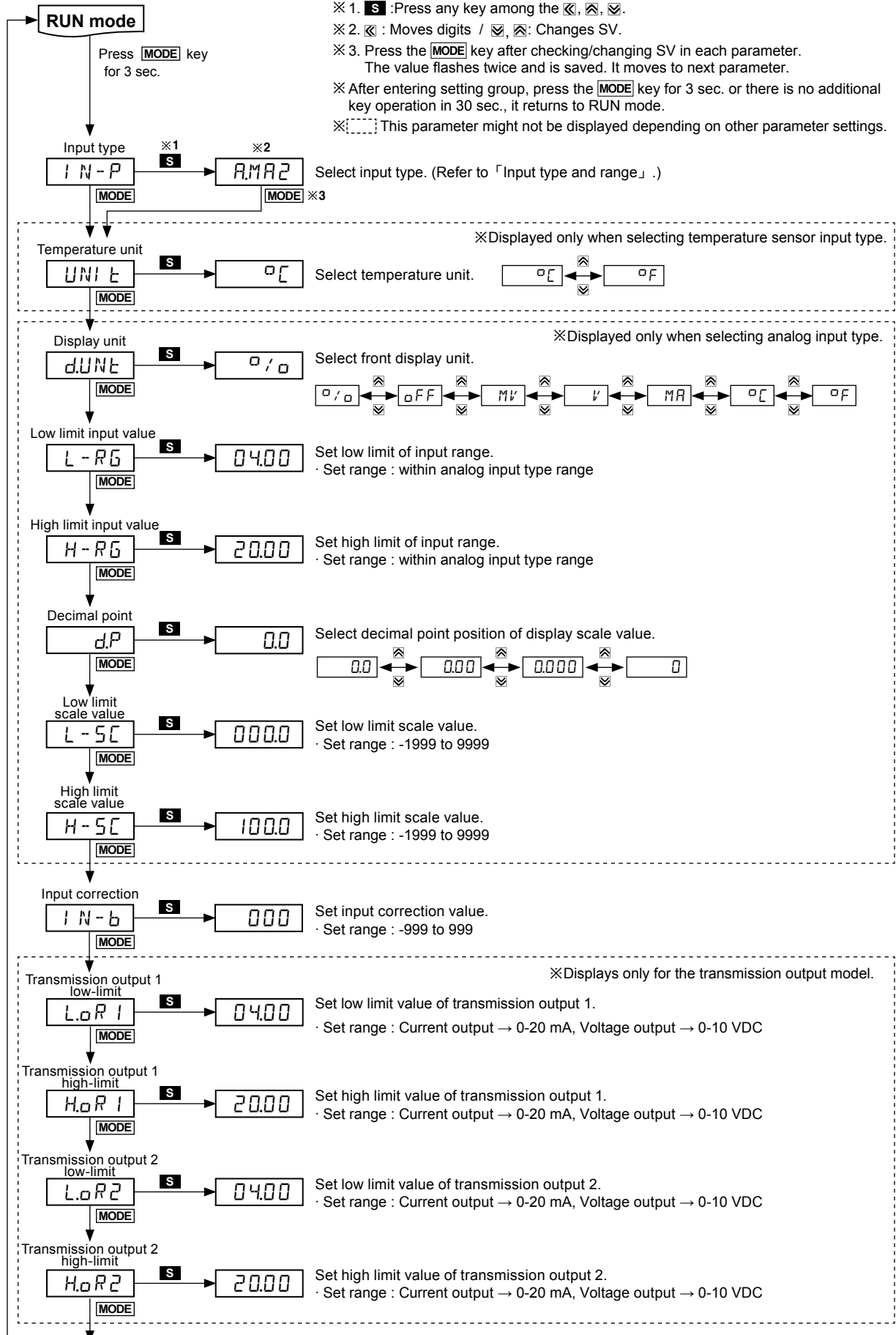
CN-6000 Series

Monitoring mode



Program mode

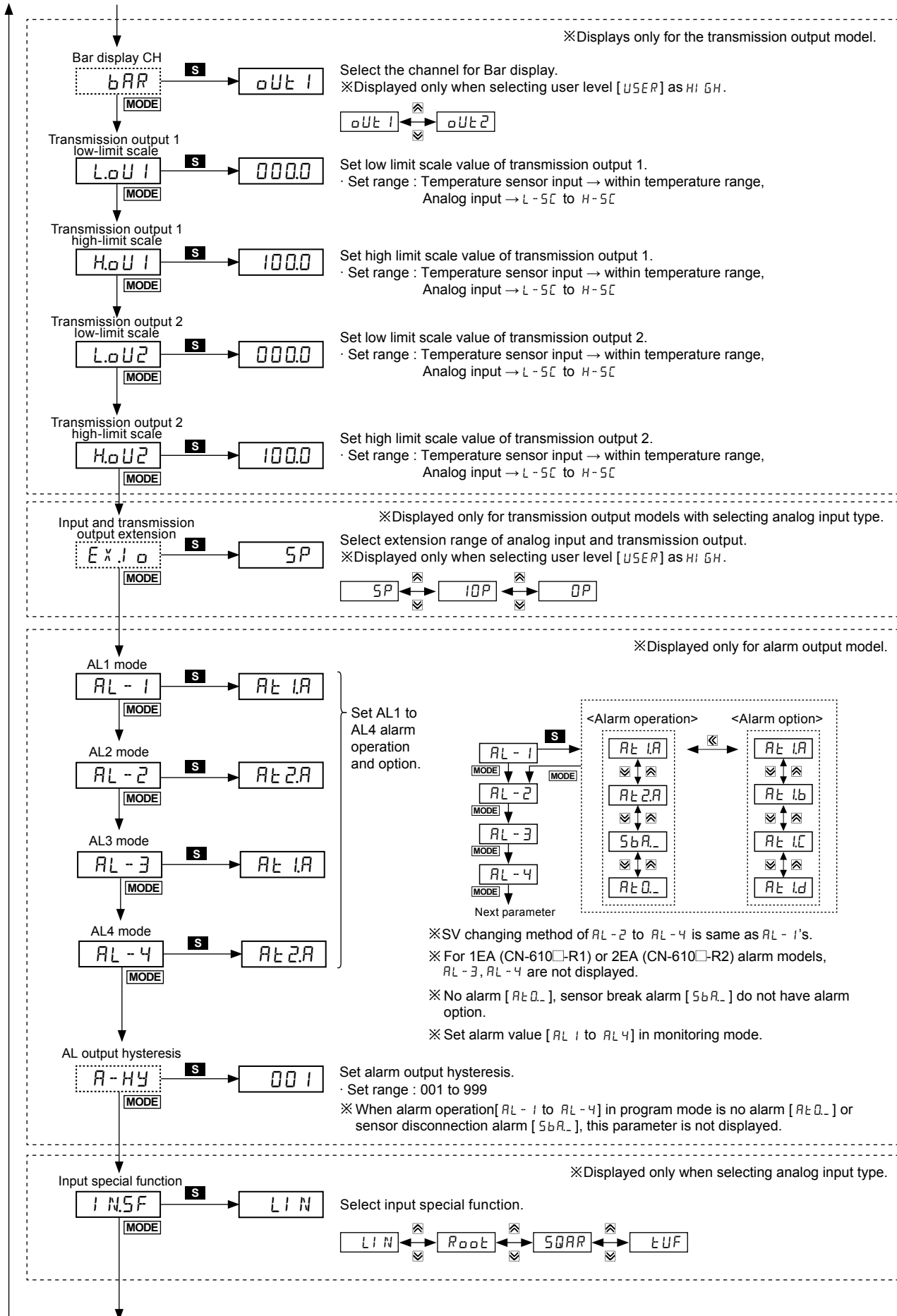
■ CN-610□-□ (universal input)

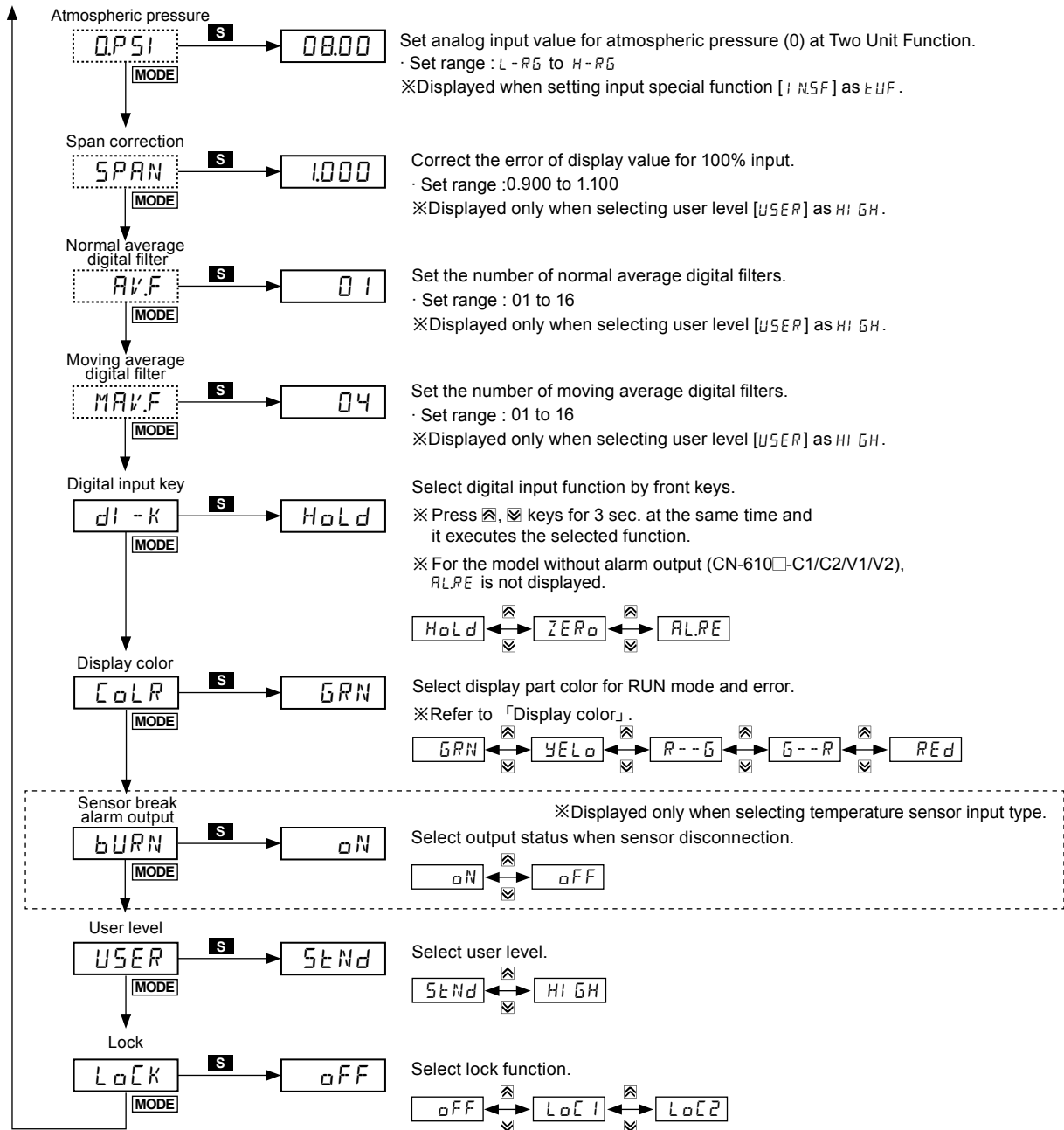


- \times 1. **[S]** : Press any key among the \leftarrow , \rightarrow , \uparrow , \downarrow .
- \times 2. \leftarrow : Moves digits / \uparrow , \downarrow : Changes SV.
- \times 3. Press the **[MODE]** key after checking/changing SV in each parameter. The value flashes twice and is saved. It moves to next parameter.
- \times After entering setting group, press the **[MODE]** key for 3 sec. or there is no additional key operation in 30 sec., it returns to RUN mode.
- \times [] : This parameter might not be displayed depending on other parameter settings.

A. Recorder
B. Indicator
C. Converter
D. Controller
E. Thyristor unit
F. Pressure transmitter
G. Temp. transmitter
H. Accessories

CN-6000 Series



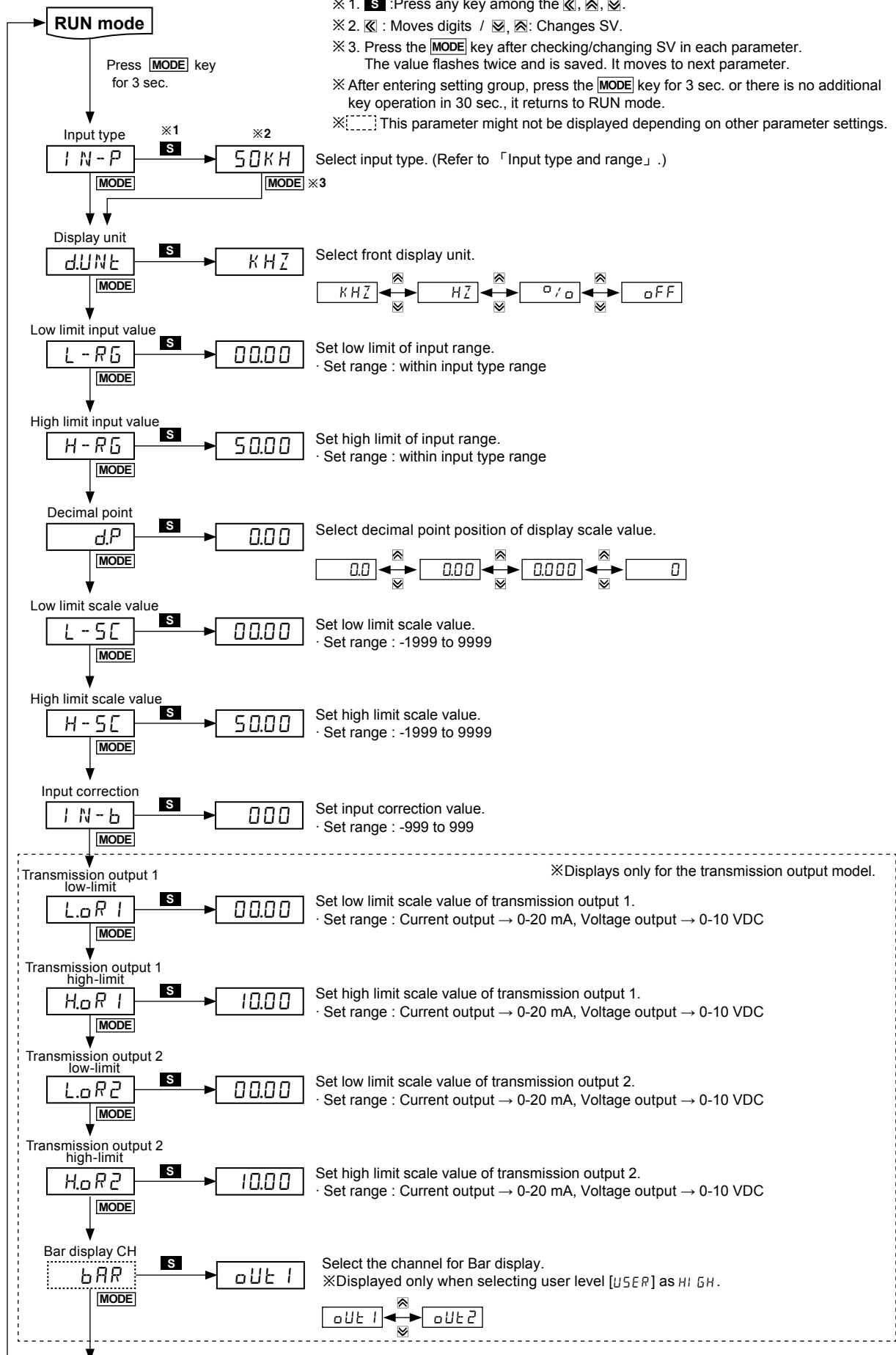


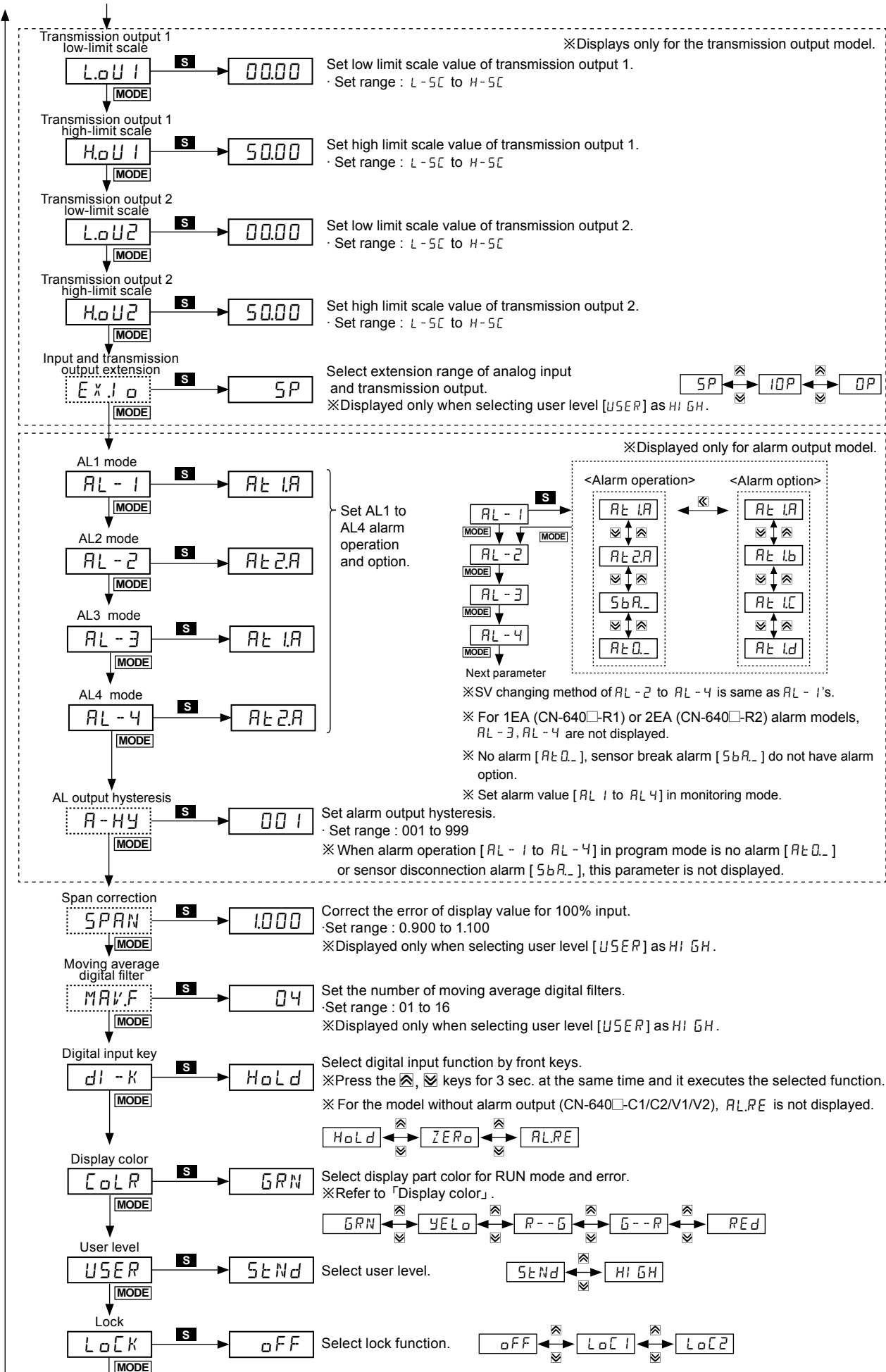
A. Recorder
B. Indicator
C. Converter
D. Controller
E. Thyristor unit
F. Pressure transmitter
G. Temp. transmitter
H. Accessories

CN-6000

CN-6000 Series

■ CN-640□-□ (pulse input)





A. Recorder
B. Indicator
C. Converter
D. Controller
E. Thyristor unit
F. Pressure transmitter
G. Temp. transmitter
H. Accessories

CN-6000

CN-6000 Series

Factory default

■ CN-610□-□ (universal input)

◎ Monitoring mode

Parameter	Default	Parameter	Default	Parameter	Default	Parameter	Default
oUt1	----	AL1	1000	AL3	1000	HPEK	----
oUt2	----	AL2	0000	AL4	0000	LPEK	----

◎ Program mode

Parameter	Default	Parameter	Default	Parameter	Default	Parameter	Default
IN-P	AMR2	LOR1	0400*1 0000*2	EXJO	SP	SPAN	1000
UNIT	°C	HOR1	2000*1 1000*2	AL-1	AL1A	AVF	01
dUNT	°/o	LOR2	0400*1 0000*2	AL-2	AL2A	MAVF	04
L-RG	0400	HOR2	2000*1 1000*2	AL-3	AL1A	dl-k	Hold
H-RG	2000	bAR	oUt1	AL-4	AL2A	COLR	GRN
dP	00	LOU1	0000	A-HY	001	bURN	oN
L-SC	0000	HOU1	1000	INSF	LIN	USER	StNd
H-SC	1000	LOU2	0000	OPSI	0800	LoCK	oFF
IN-b	000	HOU2	1000				

※ 1. Displayed only for current transmission output, alarm output model (CN-610□-C1/C2/R1/R2/R4).

※ 2. Displayed only for voltage transmission output model (CN-610□-V1/V2).

■ CN-640□-□ (pulse input)

◎ Monitoring mode

Parameter	Default	Parameter	Default	Parameter	Default	Parameter	Default
oUt1	----	AL1	0000	AL3	1000	HPEK	----
oUt2	----	AL2	0000	AL4	1000	LPEK	----

◎ Program mode

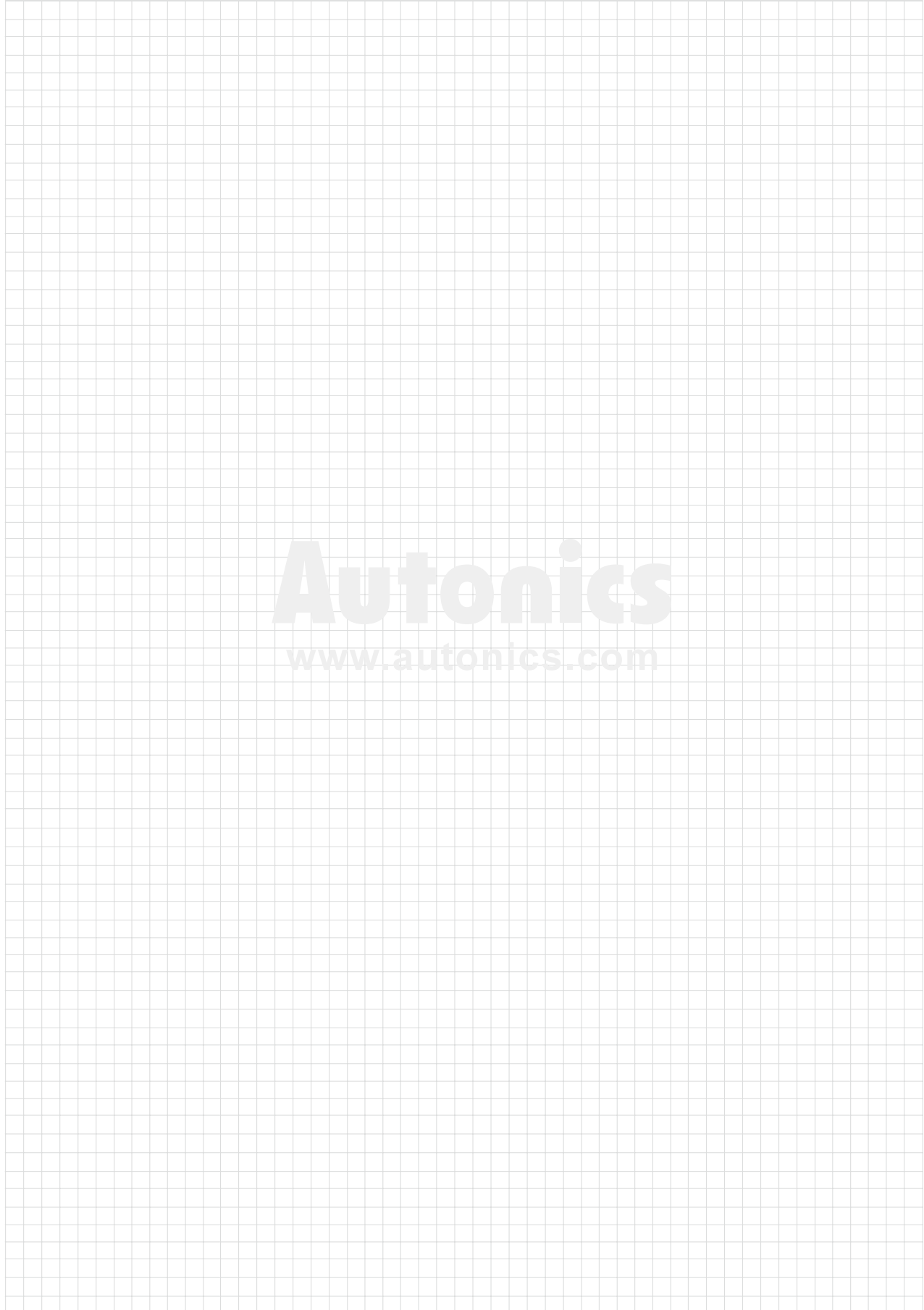
Parameter	Default	Parameter	Default	Parameter	Default	Parameter	Default
IN-P	50KH	LOR1	0000	HOU2	5000	MAVF	04
dUNT	KHZ	HOR1	1000	EXJO	SP	dl-k	Hold
L-RG	0000	LOR2	0000	AL-1	AL1A	COLR	GRN
H-RG	5000	HOR2	1000	AL-2	AL1A	USER	StNd
dP	000	bAR	oUt1	AL-3	AL1A	LoCK	oFF
L-SC	0000	LOU1	0000	AL-4	AL1A		
H-SC	5000	HOU1	5000	A-HY	001		
IN-b	000	LOU2	0000	SPAN	1000		

Proper usage

■ Caution for using

- For connecting the power, use a crimp terminal (M3.5, min. 7.2 mm).
- The connection of this unit should be separated from the power line and high voltage line in order to prevent inductive noise.
- Install a power switch or a circuit breaker to supply or cut off the power.
- Switch or circuit breaker should be installed nearby users for convenient control.
- Do not use this unit near the high frequency instruments (high frequency welding machine & sewing machine, large capacity SCR controller).
- When supplying input, if HHHH or LLLL is displayed, measured input may have problem. Turn off the power and check the line.
- Installation environment
 - ① It shall be used indoors.
 - ② Pollution degree 2
 - ③ Altitude max. 2,000m
 - ④ Installation category II
- It may cause malfunction if above instructions are not followed.

MEMO



A. Recorder
B. Indicator
C. Converter
D. Controller
E. Thyristor unit
F. Pressure transmitter
G. Temp. transmitter
H. Accessories

CN-6000