

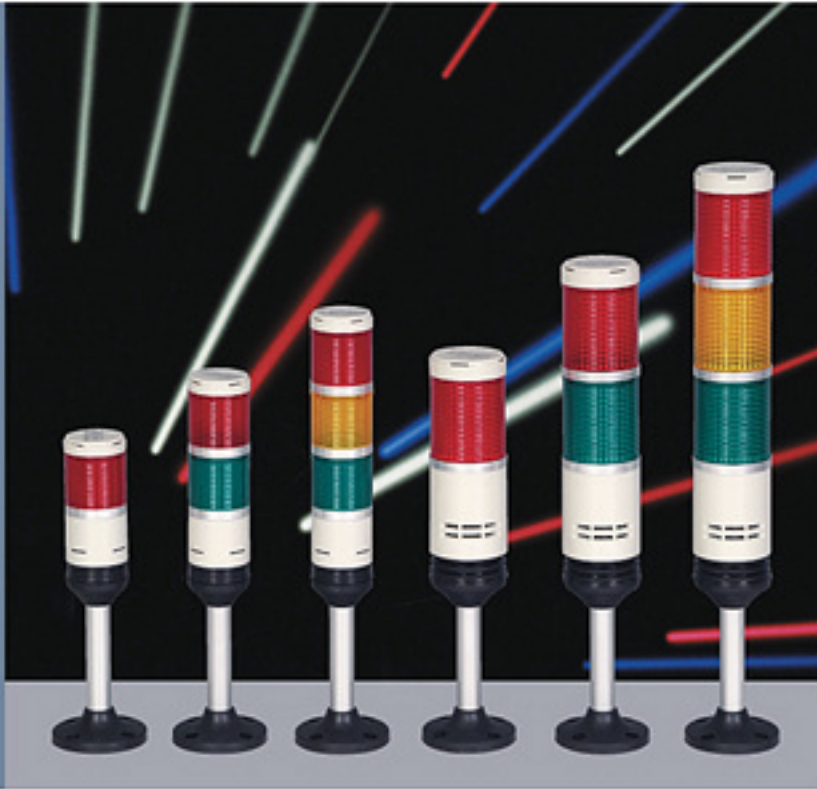


PS/PL PR/PO Series ø45mm, ø56mm Tower Light

Ordering information (표준주문사양)

PR P F 3 02 RYG

① ② ③ ④ ⑤ ⑥



①	PS/PL Series 45mm Diameter Tower Light PR/PO Series 56mm Diameter Tower Light	④	3 3 Stack 4 4 Stack 5 5 Stack
②	G Base mount+black base(no pole) P Pole+black base M Pole screw+nut(M18)	⑤	01 12V AC/DC 02 24V AC/DC 10 110V 20 220V
③	F Flashing light(PR만 적용) B Buzzer(PR만 적용) Z Flash+Buzzer(PR만 적용)	⑥	R Red lens G Green lens A Amber lens(Y) B Blue lens C Clear lens
④	1 1 Stack 2 2 Stack		

Features (특징)

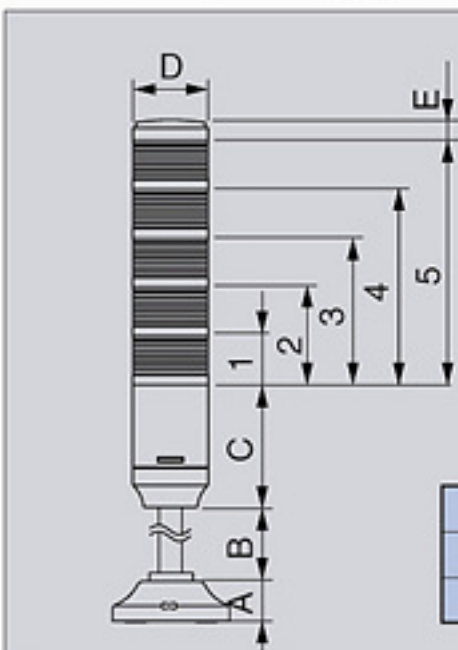
- Prism-cut lenses for superior light distribution
- Internally programmable for steady operation for each light
- 4 mounting styles available
- One to five light models
- 4 operating voltage available
- 5 lens colors available

- ø45, ø56mm, 투광줄레즈 적용
- 1단~5단으로 설계적용된 적층형구조 및 다양한 mount 체결구조
- 5가지 색상의 투광렌즈
- 부저기능 적용 (PR ser 적용)
- 다양한 전압사양
- 장시간 수명의 전구
- 내충격, 내진동 흡수용 완충 Rubber 적용

Specifications (전기적사양)

Series	PS/PL series	PR/PO series
Power supply	12V AC/DC, 24V AC/DC, 110V AC, 220V AC	
Lens color	Red, Green, Amber(Y), Blue, Clear	
Flash rate	80 /min	
PS/PL series Current consumption	1Stack	12V : 0.8A / 24V : 0.4A / 110V : 0.08A / 220V : 0.04A
	2Stack	12V : 1.7A / 24V : 0.8A / 110V : 0.17A / 220V : 0.08A
	3Stack	12V : 2.5A / 24V : 1.2A / 110V : 0.25A / 220V : 0.12A
	4Stack	12V : 3.3A / 24V : 1.7A / 110V : 0.33A / 220V : 0.17A
	5Stack	12V : 4.2A / 24V : 2.1A / 110V : 0.4A / 220V : 0.2A
PR/PO series Current consumption	1Stack	12V : 0.4A / 24V : 0.2A / 110V : 0.04A / 220V : 0.02A
	2Stack	12V : 0.8A / 24V : 0.4A / 110V : 0.08A / 220V : 0.04A
	3Stack	12V : 1.2A / 24V : 0.6A / 110V : 0.12A / 220V : 0.06A
	4Stack	12V : 1.6A / 24V : 0.8A / 110V : 0.16A / 220V : 0.08A
	5Stack	12V : 2.0A / 24V : 1.0A / 110V : 0.2A / 220V : 0.1A
Bulb type	Incandescent bulb Single contact & Bayonet base	
Bulb voltage and wattage	12VDC : 12V5W, 24VDC : 24V5W, 110VAC : 110V5W, 220VAC : 220V5W	12VDC : 12V8W, 24VDC : 24V8W, 110VAC : 110V8W, 220VAC : 220V8W
Buzzer kit	No buzzer	Available
Sound level	No buzzer	80 dB
Termination	Wire leads	

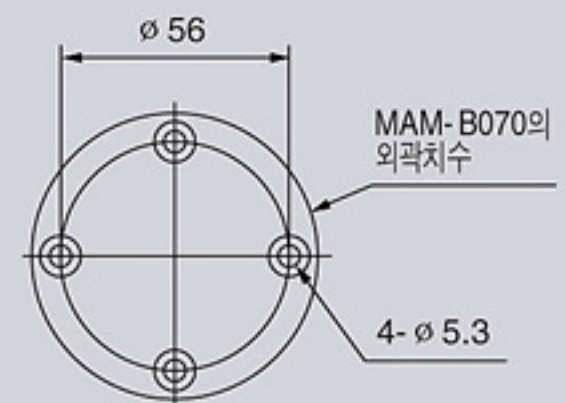
Dimensions (외형치수도)



(UNIT : mm)

Series	A	B	C	D	E	1	2	3	4	5
PS/PL	25	200	69	45	10.5	46	92	138	184	230
PR/PO	25	200	107	56	14	68	136	204	272	340

Lower part dimensions for base mount (취부도)



PS/PL PR/PO 결선도

Stack Light position is connected from bottom to top

