

Fiber amplifier FD1 series



Features

- Detection distance button setting (self-learning)
- Bright / dark pass optional
- Output settable, no delay or OFF delay 100ms
- Short circuit, reverse polarity, shock protection, overload protection



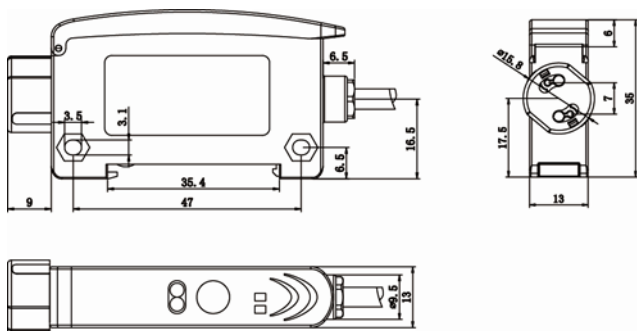
Model specification

NPN+PNP NO/NC	FD1-NPR
---------------	---------

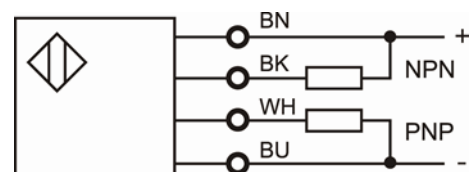
Specifications

Supply voltage	DC 10-30V	Distance adjustment	Button
Fluctuation voltage	< 10%	Response time	< 1ms
Consumption current	< 40mA	Temperature drift	< 10%
Leak current	< 0.1mA	Ambient temperature	0°C~50°C
Output type	NPN+PNP;NO/NC dip switch optional	Light source	red light
Protect the circuit	Short circuit protection, overload protection	Dielectric properties	< 0.2mA(500VAC,60s)
Voltage drop	< 2.5V	Vibration resistance	Amplitude:1mm;Frequency:10~55Hz;
Rated load current	100mA		Sweep period:5min
Minimum load current	1mA	Protection degree	IP54
Hysteresis	3%~20%	Connection type	2m PVC cable
Repeat accuracy	< 5%	Housing material	PC+ABS
Shock proof	Shock (pulse) waveform:half sine;Peak speed:30gn;Pulse duration:11ms		
Output indication	power supply:Green LED,Output: Red LED		
output delay	Settable(NORM:Output without delay;OFF DLY 100ms:Output turn-off delay 100ms)		

Dimensions



Circuit Diagrams



Optical fiber PFR series



Features

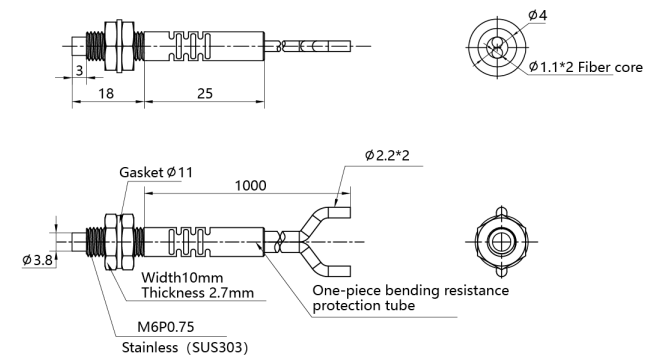
- Standard thread shape for easy installation
- Fiber optic head made of stainless steel, high durability
- Suitable for installation in small spaces with high detection accuracy



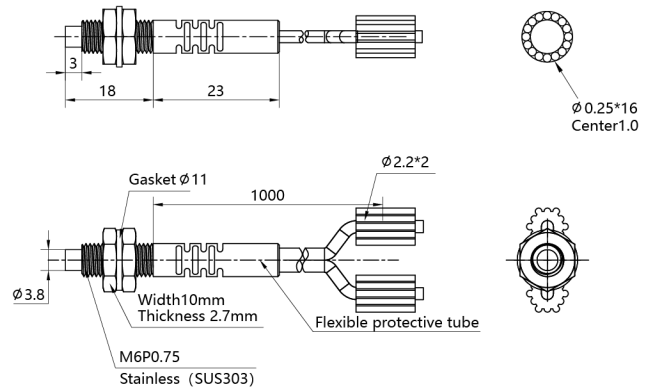
Diffuse reflection

Model	Size	Appearance	Minimum bending radius	Detection distance(mm)	Smallest detectable(mm)
PFR-610	M6		R25	100	φ0.2
PFRC-610	M6		R25	90	φ0.1
PFRD-410	M4		R15	60	φ0.1
PFRC-410	M4		R15	40	φ0.1
PFRD-310	M3		R15	40	φ0.1
PFRC-310	M3		R15	40	φ0.05

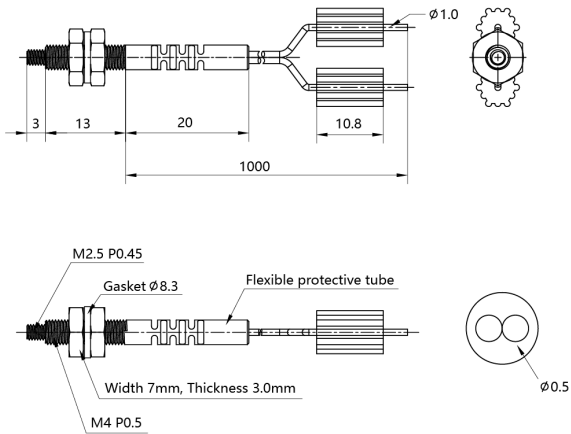
Dimensions:PFR-610



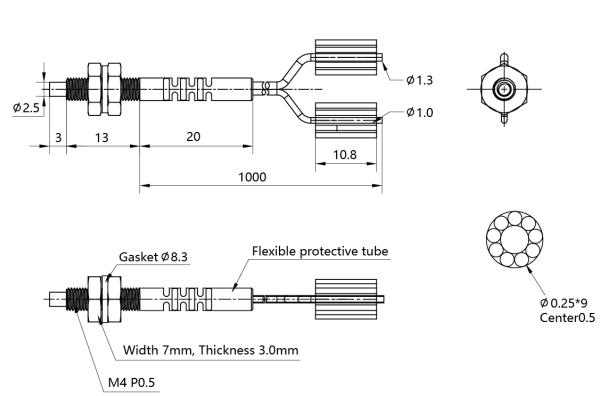
Dimensions:PFRC-610



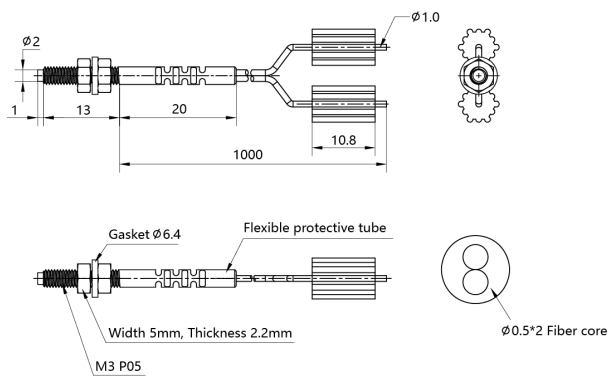
Dimensions: PFRD-410



Dimensions: PFRC-410



Dimensions: PFRD-310



Dimensions: PFRC-310

