

MWE Series D90mm Wall mounting Semicircular Multicolored LED Signal Light (Single lens)



MWE Series display natural and detail color of the LED Lighting. The diffusion and transmission ratio of the LED Lighting are very good regardless of angle.



Clear-white lens

Milky lens



Product Features

- 3 Colors (Red , Green , Blue) / 4 Colors (Red , Yellow, Green, Blue)
- Large LED Light-emitting lens - Length : 93mm
- 40mm thick, slim product offers seamless integration with the equipments
- Optional built-in Buzzer
- IP65 (Buzzer type : IP52)
- Letters , Symbols and Company logos can be carved and attached to the Front lens using sheet

Specifications

Functions	Steady , Flashing , Buzzer
Power Supply	12 ~ 24VAC/DC , 110 ~ 220VAC (AC. 50/60Hz)
LED Colors	3 Colors (Red, Green, Blue) / 4 Colors (Red, Yellow, Green, Blue)
Product Size	Width : 90mm, Thickness : 40mm, Length : 194mm
Flashing Rate	12VDC : 80±5times/minute 12VAC , 24VAC/DC : 85±5times/minute 90 ~ 240VAC : 85±5times/minute
Buzzer Sound Level	75±5dB (at 1m, Sound Level is maximum)
Front lens Colors	Standard - Clear white , Option - Ivory white
Mounting	Wall mounting only (Upright , Reverse , Sideways)
Wiring Method	Lead wire connection
Ambient Temperature	-20 to 40°C
Storage Temperature	-20 to 70°C
Ambient Humidity	45~85% RH
Vibration resistance	0.75mm at 10~55Hz
Recommended Wire Size	UL1007 , 22AWG
Approvals	CE , RoHS
Degree of Protection	IP65 (IP52-Buzzer type)
Weight (Buzzer type)	AC type - about 300g , DC type - about 293g

Note : Life of the LED varies according to operating conditions and environment.

Ordering Information

MWE - F - 4 00 - RYGB (H)

① ② ③ ④ ⑤ ⑥

1. Model

MWE Cream-colored Body

2. Functions

F Steady + Flashing
B Steady + Flashing + Buzzer

3. LED Signals

3 3 Color signals
4 4 Color signals

4. Power Supply

00 12 ~ 24VAC/DC
FF 110 ~ 220VAC

5. LED Colors

RGB Red + Green + Blue
RYGB Red + Yellow + Green + Blue

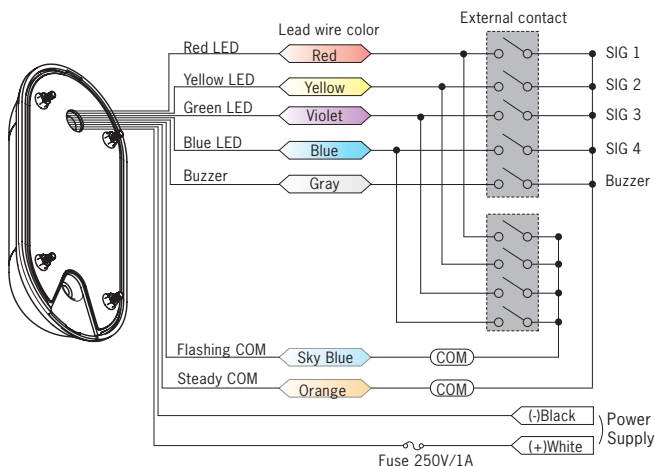
6. Color of Front lens (Option)

(H) Clear-white lens
(M) Milky lens

Current consumption (RMS value ±10%)

Operating condition of both LED lighting and Buzzer	12 - 24VAC	110 - 220VAC
	Max.0.60A	Max.0.07A

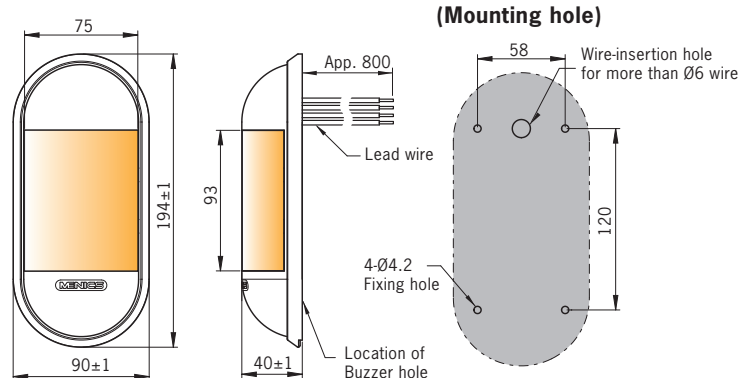
Wiring Diagram



⚠ Pay attention to the polarity if it is DC-type

※ Above specifications are changeable at anytime without notice.

Dimensions (unit: mm)



Note : If you want to get IP52 grade, be sure to place the Buzzer side down. (For Buzzer type product)

