

MS56L Series D56mm Dome head LED Signal Light



Compact LED Warning Light featuring enhanced illumination. Ideal for use with conveyors and electrical control panels.



Ordering Information

MS56L - F 0 2 - R
 ① ② ③

1. Light Style

	Steady	01	12VAC/DC
F	Steady + Flashing	02	24VAC/DC
R	Rotating	10	110VAC
		20	220VAC

2. Power Supply

3. Lens Colors

R	Red	B	Blue
Y	Yellow	C	Clear
G	Green		

Specifications

Operation/Function	Steady, Steady + Flashing, Rotating
Power Supply	12VAC/DC, 24VAC/DC, 110VAC, 220VAC (AC: 50/60Hz)
Lens Diameter	56mm
Flashing Function	Dip switch in the internal PCB board controls
Rotating Function	Volume in the internal PCB board controls (40~300rpm)
Lens Color	Red, Yellow, Green, Blue, Clear
Material	Lens - PC resin, Base - ABS resin
Vibration	0.75mm at 10~55Hz
Ambient Temperature	-15 to 40°C
Storage Temperature	-20 to 70°C
Ambient Humidity	45~85% RH
Degree of Protection	IP65 (front)
Approvals	RoHS
Wire Size	UL1007 / 22AWG
Weight	Approx.66g

Flashing Rate (per minute ±10%)

Rated Voltage	AC Power	DC Power
12V	110 times	60 times
24V	80 times	80 times
110V	80 times	
220V	80 times	

Current Consumption (±10%)

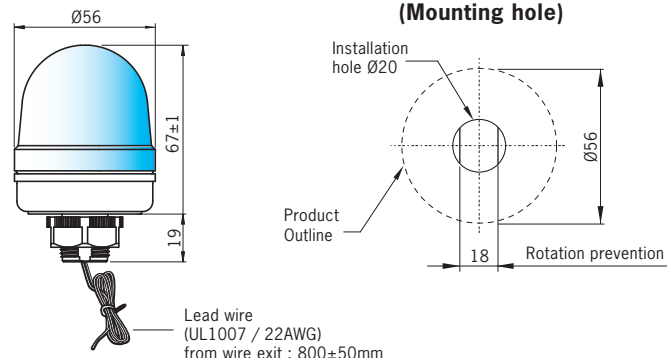
Rated Voltage	12VAC	24VAC	110VAC	220VAC
Steady	0.1A	0.12A	0.03A	
Rotating	0.8A	0.07A	0.03A	0.04A

Note : 12V, 24VDC Current Consumption : 0.06A

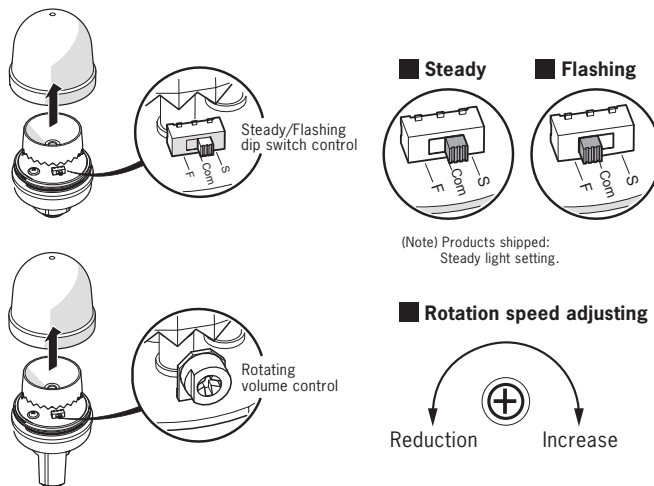
Product Features

- Steady + Flashing Light, Rotating Light
- Power Supply : 12/24VAC/DC, 110/220VAC
- M20 plastic Nut panel mounting
- Rotating speed is adjustable
- IP65 rated

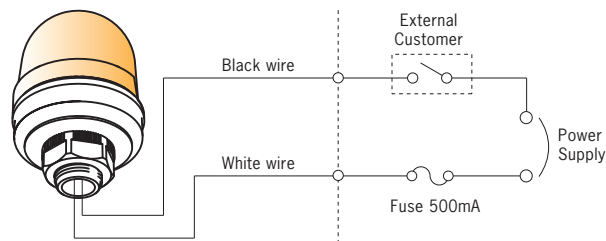
Dimensions (unit: mm)



Feature Setting



Wiring Diagram



Optional Parts

Wall mounting Bracket



MAM-DS11
Steel

See Page 56 - 58 for Mounting Options and Accessories.