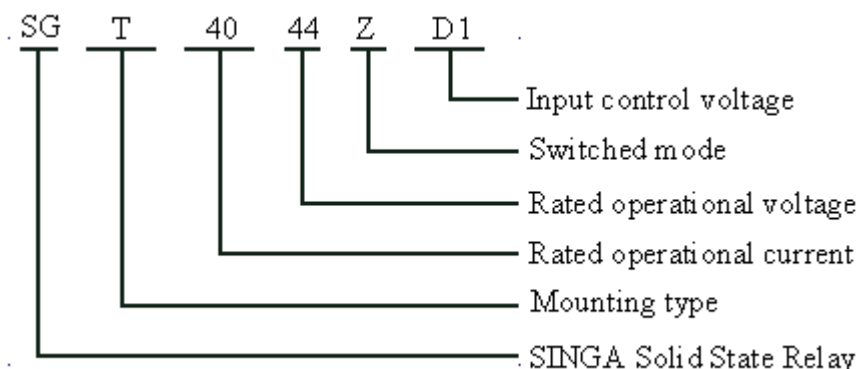


The series SGT three phase Solid State Relays is used three phase loads. Triac Output. The triac version of the zero switching relay is an inexpensive solution for resistive loads. The zero switching relay switches on when the AC sine voltage just crosses zero, and switches off when the current crosses zero.

- Three phase Solid State Relays
- Rated operational current 3×10, 3×15, 3×25 and 40 Amps.
- Rated operational voltage 440 V.
- Zero switching for resistive loads.
- Input Voltage Range 4 to 16 Vdc, 3 to 32 Vdc.
- 2500 Vrms Optical Isolation.(input/output)
- LED-indication for control input.

#### ORDERING KEY



#### TYPE SELECTION

Mounting type	<b>T: AC Three phase Solid State Relay</b>
Operational current	<b>10: 3×10Amp, 15: 3×15Amp, 25: 3×25Amp, 40: 3×40Amp</b>
Operational voltage	<b>44: 440V<sub>AC</sub></b>
Switched mode	<b>Z: Zero Voltage</b>
Input Control voltage	<b>D1: DC 4~16V, D3: DC 3~32V</b>

#### SELECTION GUIDE

Voltage	Control voltage	Rated operational current			
		10 Amp	15 Amp	25 Amp	40 Amp
440 V <sub>AC</sub>	4~16 Vdc	SGT1044ZD1	SGT1544ZD1	SGT2544ZD1	SGT4044ZD1
	3~32 Vdc	SGT1044ZD3	SGT1544ZD3	SDT2544ZD3	SDT4044ZD3
440 V <sub>AC</sub>	4~16 Vdc	SGT1044RD1	SGT1544RD1	SGT2544RD1	SGT4044RD1
	3~32 Vdc	SGT1044RD3	SGT1544RD3	SDT2544RD3	SDT4044RD3

© 2006 SINGA CORP, Specifications subject to change without notice.



WEIHAI SINGA ELECTRONICS CO.,LTD.

ADD :No.173,Torch Road,Hi-Tech Developing Zone,Weihai,China

SALES SUPPORT(+86)631-5680009 FAX(+86)631-5680010

E-mail:singa@singa.cn

WEB SITE: <http://www.singa.cn> <http://www.whsinga.com.cn>

### SPECIFICATIONS

INPUT PARAMETER ①	D1	D3
Control Voltage Range	4 to 16Vdc	3 to 32Vdc
Input Current (Max.)	26/86 mAdc @=5V/12V	25/28 mAdc @=5V/12V
Must Turn On Voltage	4Vdc	3Vdc
Must Turn Off Voltage	1Vdc	1Vdc
Reverse Voltage (Max.)	32Vdc	32Vdc
Display LED	Yes	Yes

OUTPUT PARAMETER ②	Units	Specification Limits			
Model No. <b>SGTH</b>		10A	15A	25A	40A
Load Current Range	Arms	3×10	3×15	3×25	3×40
Surge Current, 20 mSec (Max.)	Arms	85	115	230	400
Load Voltage Range	Vrms	44 to 440			
TRIAC Over voltage	Vpk	≥1000			
Frequency Range	Hz	47 to 63			
Min. Off-state dv/dt	V/μsec	200			
Off State Leakage Current (Max.)	mArms	≤8			
On-State Voltage Drop (Max.)	Vrms	1.6			
Thermal Resistance, (Rthjc)	°C/W	2.5	2.5	1.3	1.3
Turn On Time (Max.) "Z"	Cycle	1/2			
Turn On Time (Max.) "R"	mSec	1			
Turn Off Time (Max.)	Cycle	1/2			

### GENERAL SPECIFICATIONS ③

Dielectric (Input/Output)	Vrms	2500	2500	2500	2500
Dielectric (Input-Output/Base)	Vrms	2500	2500	2500	2500
Capacitance(Max.)	pf	10	10	10	10
Ambient Operating Temperature Range		-30 to +80 °C			
Ambient Storage Temperature Range		-30 to +80 °C			
Weight: ( max.) Aluminum Base plate 310g, Copper Base plate 430g.					
Case Color: Black					
Mounting Dimensions: L×W×H		105×74×32.5 mm			

© 2006 SINGA CORP, Specifications subject to change without notice.



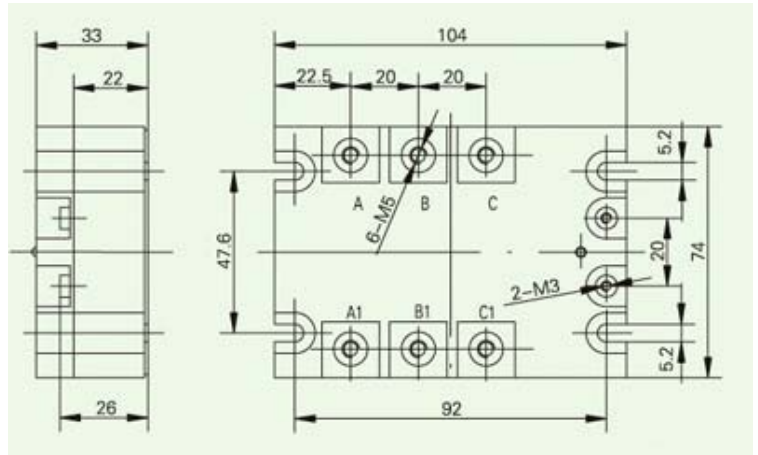
**WEIHAI SINGA ELECTRONICS CO.,LTD.**

**ADD :No.173,Torch Road,Hi-Tech Developing Zone,Weihai,China**

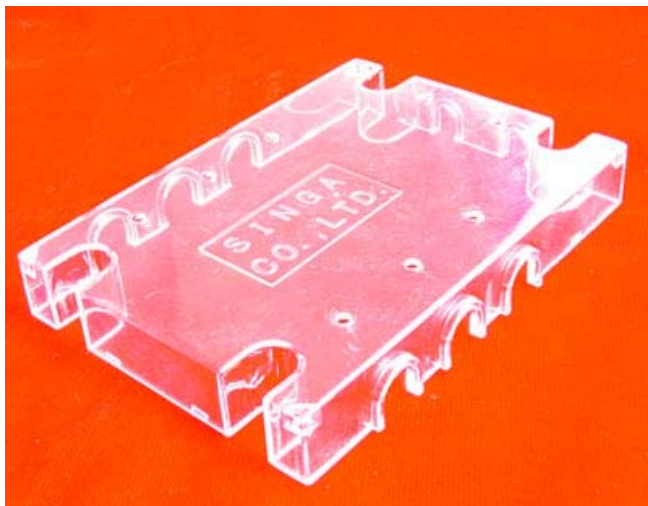
**SALES SUPPORT(+86)631-5680009 FAX(+86)631-5680010**

**E-mail:singa@singa.cn**

**WEB SITE: <http://www.singa.cn> <http://www.whsinga.com.cn>**



### Defense Covering (Optional)



© 2006 SINGA CORP, Specifications subject to change without notice.



WEIHAI SINGA ELECTRONICS CO.,LTD.

ADD :No.173,Torch Road,Hi-Tech Developing Zone,Weihai,China

SALES SUPPORT(+86)631-5680009 FAX(+86)631-5680010

E-mail:singa@singa.cn

WEB SITE: <http://www.singa.cn> <http://www.whsinga.com.cn>