

JQX-115F

**Contact specification**

Contact form	1Z、1H、1D	2Z 2H 2D
Contact resistance	≤100mΩ ( 1A 6VDC )	
Contact material	AgCdO AgSnO <sub>2</sub>	
Contact capacity	16/12A 250VAC/30VDC	8A 250VAC/30VDC

**Coil specification**

Rated coil power	DC:0.4W; AC:0.75VA
------------------	--------------------

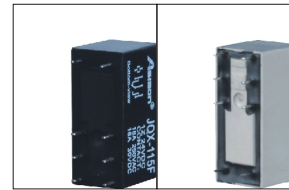
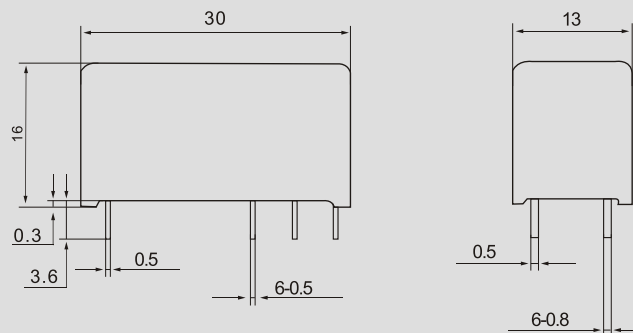
**Coil data**

	Nominal voltage V	Operate voltage V	Release voltage V	Coil resistance Ω + 10%
DC	5	≤75%Un	≥10%Un	62
	6			90
	12			360
	24			1440
	48			5760
	110			22830
AC	24	≤80%Un	≥15%Un	350
	115(110-120)			8100
	230(220-240)			32500

Ohmic value more than 5000, tolerance to ±15%

**Outline dimension、Mounting holes (Bottom view)、Wiring diagram (Bottom view)**

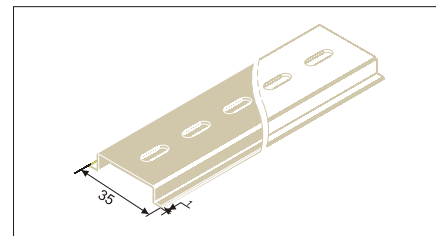
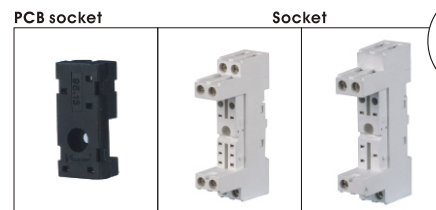
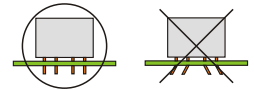
JQX-115F Outline dimension



JQX-115F

**Technical specification**

Insulation resistance	≥1000MΩ ( 500VDC )
Dielectric strength	Between coil and contacts ≥5000VAC 1min
	Between open contacts ≥1000VAC 1min
Operate / Release time	Between contacts of different poles ≥2500VAC 1min
	≤15ms/10ms
Terminal type	PCB mounting



# Bottom view installation size and wiring diagram

Type	Bottom view mounting hole size	C circuit diagram	A circuit diagram	B circuit diagram
1C 12A 3.5mm				
1C 12A 5mm				
1C 16A 5mm				
2C 8A 5mm				