

Plastic cylindrical shape capacitive sensors **CR12S** series



Features

- ◆ Be able to detect both metal and nonmetal objects;
- ◆ Be able to detect various media via nonmetallic container;
- ◆ Reliable liquid level detecting;

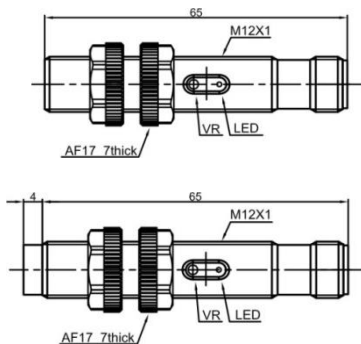
Part number

NPN NO	CR12SCF02DNO-E2	CR12SCN04DNO-E2	PNP NO	CR12SCF02DPO-E2	CR12SCN04DPO-E2
NPN NC	CR12SCF02DNC-E2	CR12SCN04DNC-E2	PNP NC	CR12SCF02DPC-E2	CR12SCN04DPC-E2

Technical specifications

Mounting	Flush	Non-flush	Consumption current	≤15mA
Rated distance [Sn]	2mm (adjustable)	4mm (adjustable)	Circuit protection	Short-circuit, overload and reverse polarity
Assured distance [Sa]	0...1.6mm	0...3.2mm	Output indicator	Yellow LED
Dimensions	M12*65mm	M12*69 mm	Ambient temperature	-25°C...70°C
Output	NO/NC(depends on part number)		Ambient humidity	35-95%RH
Supply voltage	10...30 VDC		Switching frequency [F]	50 Hz
Standard target	Fe12*12*1t	Fe 12*12*1t	Voltage withstand	1000V/AC 50/60Hz 60S
Switch-point drifts [%/Sr]	≤±20%		Insulation resistance	≥50MΩ (500VDC)
Hysteresis range [%/Sr]	3...20%		Vibration resistance	10...50Hz (1.5mm)
Repeat accuracy [R]	≤3%		Degree of protection	IP67
Load current	≤200mA		Housing material	PBT
Residual voltage	≤2.5V		Connection type	M12 connector

Dimensions



Wiring diagram

