

# DTV

## Valve Temperature Controller

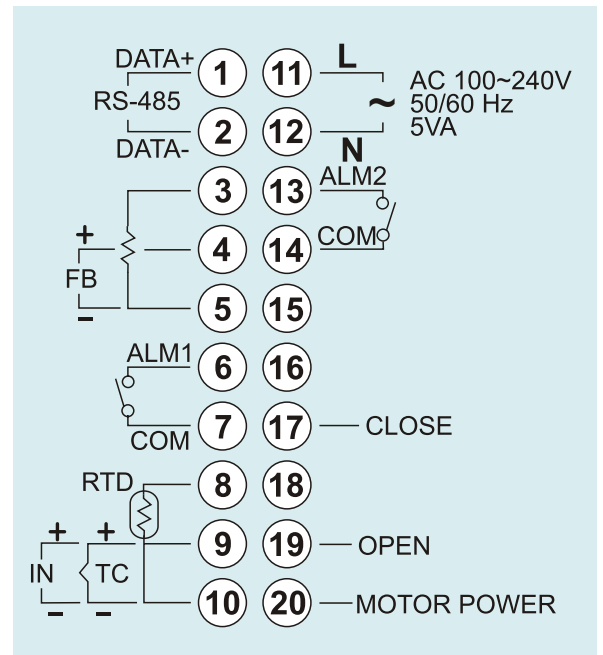
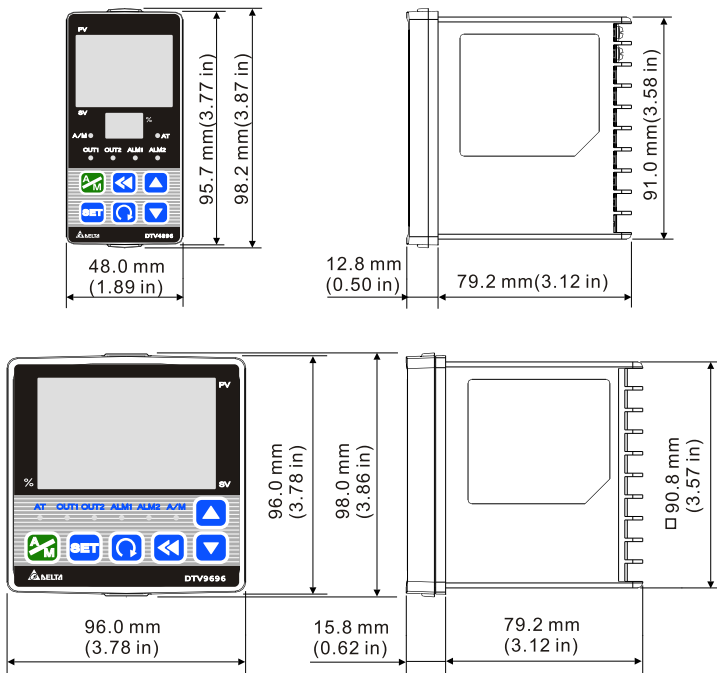
### Features:

- For valve controllers only
- Connectable to valve feedback signals
- Auto/manual mode switch
- Two groups of alarms and 17 modes for each group
- Four PID parameters for different temperatures
- Modbus RS-485 communication
- Independent LED display for the openness of valve
- Key for digit shifting





## Dimensions



## Ordering Information



DTV Series name	DTV : Delta V series valve temperature controller
1 2 3 4 Panel size ( W x H )	4896 : 1/8 DIN W48 x H96 mm 9696 : 1/4 DIN W96 x H96 mm
5	R : Relay output (250VAC, 5A)

## Specifications

Power input	AC100 ~ 240V, 50/60Hz
Input power range	85% ~ 110%, rated voltage
Power consumption	Less than 5VA
Display	2-line, 7-segment LED, 4 bits and 2 bits of valve openness display PV in red, SV and valve openness in green.
Input	Thermocouple: K, J, T, E, N, R, S, B, L, U, TXK Platinum resistance : PT100, JPT100 Analog input: 0 ~ 5V, 0 ~ 10V, 0 ~ 20mA, 4 ~ 20mA, 0 ~ 50mA
Output	Relay output: Max. load 250V, 5A resistive load
Feedback signal	Receives resistive/voltage feedback signals
Control method	PID, PID programmable control, manual, On/Off
Display scale	1 digit after the decimal point, or no decimal point
Sampling cycle	Analog input: 0.15 sec; thermocouple/platinum resistance: 0.4 sec
Vibration resistance	10 ~ 55Hz 10m/s <sup>2</sup> 3 axes 10 min.
Shock resistance	Max. 300m/s <sup>2</sup> 3 axes 6 directions, 3 times each
Ambient temperature	0°C ~ +50°C
Storage temperature	-20°C ~ +65°C
Operation altitude	Less than 2,000m
Ambient humidity	35% to 80% RH (non-condensing)



### ASIA

**Delta Electronics, Inc.**  
Taoyuan  
31-1, Xingbang Road, Guishan Industrial Zone,  
Taoyuan County 33370, Taiwan, R.O.C.  
TEL: 886-3-362-6301 / FAX: 886-3-362-7267

**Delta Electronics (Jiang Su) Ltd.**  
Wujiang Plant3  
1688 Jiangxing East Road,  
Wujiang Economy Development Zone,  
Wujiang City, Jiang Su Province,  
People's Republic of China (Post code: 215200)  
TEL: 86-512-6340-3008 / FAX: 86-769-6340-7290

**Delta Electronics (Japan), Inc.**  
Tokyo Office  
Delta Shibadaimon Building, 2-1-14 Shibadaimon,  
Minato-Ku, Tokyo, 105-0012, Japan  
TEL: 81-3-5733-1111 / FAX: 81-3-5733-1211

**Delta Electronics (Korea), Inc.**  
Donghwa B/D 3F, 235-6, Nonhyun-dong,  
Kangnam-gu, Seoul 135-010, Korea  
TEL: 82-2-515-5303/5 / FAX: 82-2-515-5302

**Delta Electronics (Singapore) Pte. Ltd.**  
8 Kaki Bukit Road 2, #04-18 Ruby Warehouse Complex,  
Singapore 417841  
TEL: 65-747-5155 / FAX: 65-744-9228

**Delta Energy Systems (India) Pvt. Ltd.**  
Plot No. 27 & 31, Sector-34, EHTP,  
Gurgaon-122001 Haryana, India  
TEL: 91-124-4169040 / FAX: 91-124-4036045

### AMERICA

**Delta Products Corporation (USA)**  
Raleigh Office  
P.O. Box 12173, 5101 Davis Drive,  
Research Triangle Park, NC 27709, U.S.A.  
TEL: 1-919-767-3813 / FAX: 1-919-767-3969

### EUROPE

**Deltronics (The Netherlands) B.V.**  
Eindhoven Office  
De Witbogt 15, 5652 AG Eindhoven, The Netherlands  
TEL: 31-40-2592850 / FAX: 31-40-2592851

\*The content in the catalog may be revised without prior notice to clients.