

Miniature photoelectric sensor PST series



Feature description

- M3 threaded cylindrical installation, small size, easy to install and use
- With 360° visible bright LED status indicator
- Good anti-light interference, high product stability
- Red point light source, easy to align



Model specification

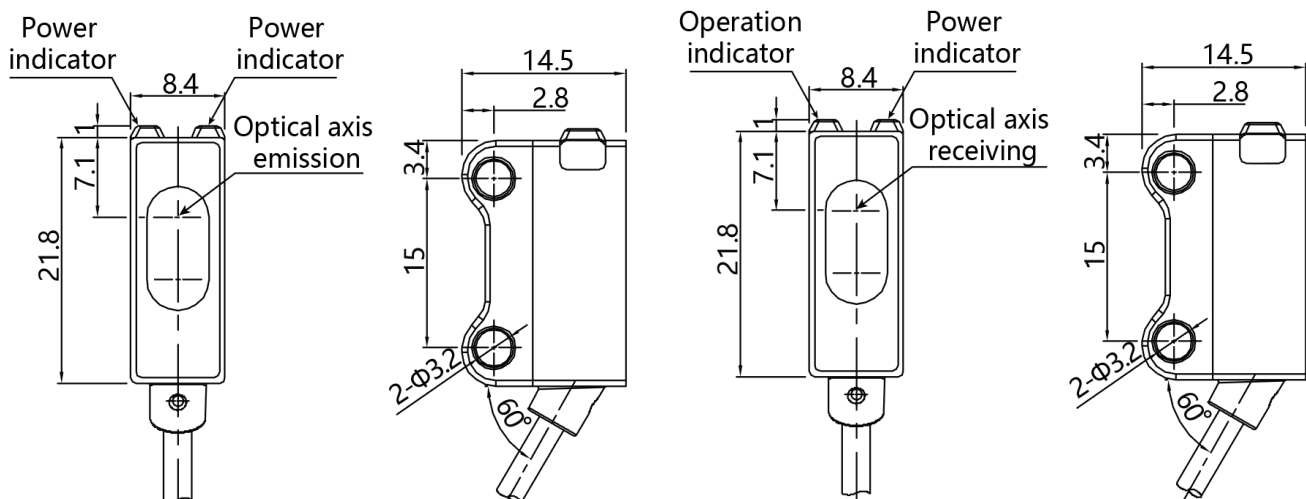
	Emitter	Receiver		Emitter	Receiver
NPN NO	PST-TM2DR	PST-TM2DNOR	PNP NO	PST-TM2DR	PST-TM2DPOR
NPN NC	PST-TM2DR	PST-TM2DNCR	PNP NC	PST-TM2DR	PST-TM2DPCR

Specifications

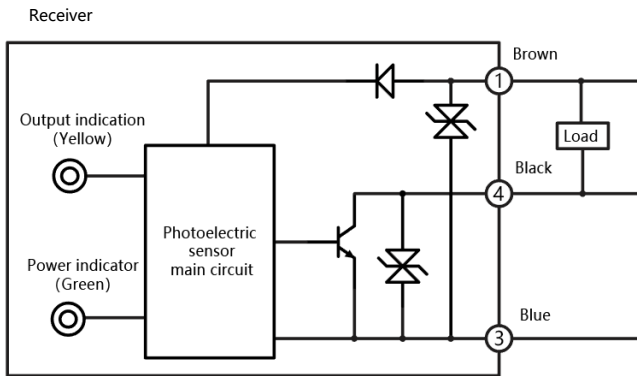
Sensing distance	2m	Protection circuit	Short circuit,reverse polarity,overload protection
Standard target	φ5mm above opaque objects	Response time	<1ms
Min target	φ3mm above opaque objects ^①	Anti ambient light	Sunlight interference ≤10,000 lux
Direction angle	Emitter:±1°;Receiver:±4.°		Incandescent light interference ≤3,000 lux
Spot size	80mm@2m	Operation temperature	-20...55 °c
Supply voltage	10...30VDC	Storage temperature	-30...70 °C
Consumption current	Emitter:≤10mA;Receiver:≤15mA	Protection degree	IP67
Load current	≤50mA	In conformity with standards	CE
Voltage drop	≤1.5V	Shell material	ABS
Light source	Red light(640nm)	Lens	PMMA
Indicator	Green:power supply indicator;stability indication	Connection	2m PVC cable
	Yellow:output indication	Accessory	Screws(M3×16mm)×2, Nut×2, Operation manual

①The detection of the smallest detectable object can be achieved only under the appropriate sensitivity conditions

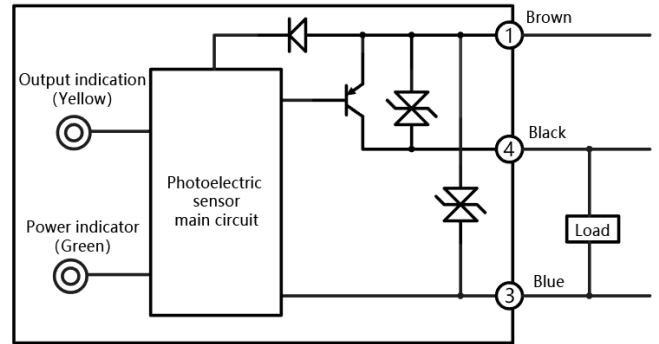
Dimension



Wiring diagram



NPN



PNP

