

Plastic square shape photoelectric sensors PSE series



Features

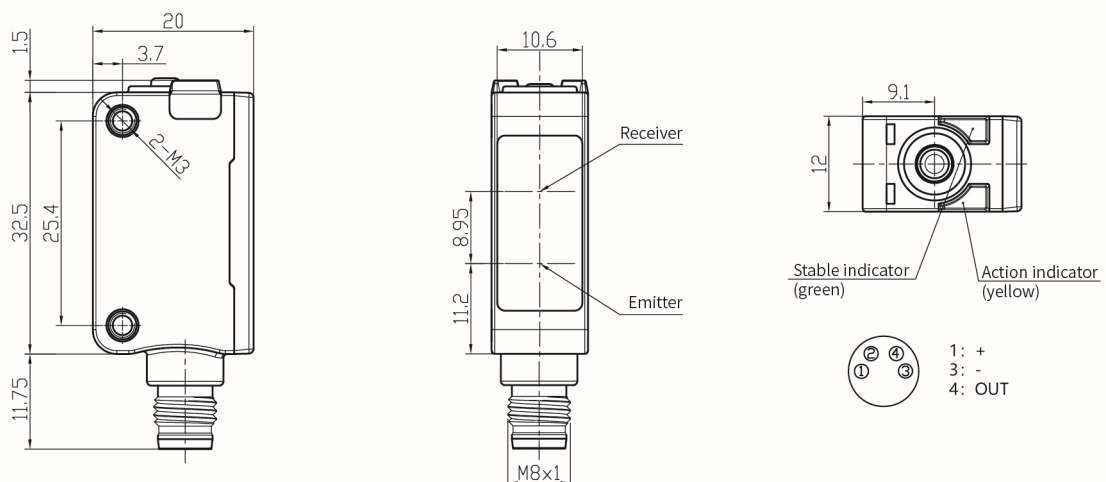
- Universal housing, an ideal replacement for a wide range of sensor types;
- IP67, suitable for harsh environments;
- One-click distance setting, accurate and fast;
- Designed with a red point source for easy calibration.



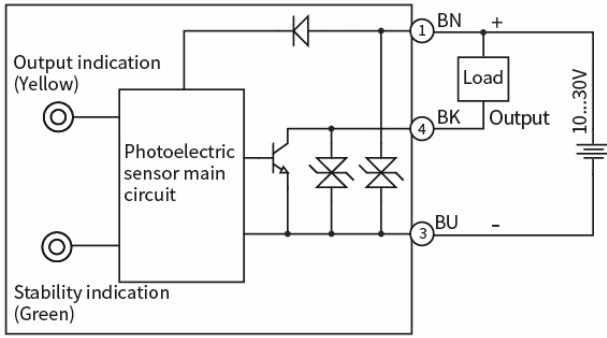
Model			
NPN NO/NC	PSE-BC30DNBR-E3	PNP NO/NC	PSE-BC30DPBR-E3

Specifications			
Detection type	Diffuse reflection	Indicator	Green light: power, stable signal (unstable signal flash)
Rated distance	30cm		Yellow light: output, overload or short circuit (flash)
Output	NPN NO/NC or PNP NO/NC	Anti-ambient light	Anti-sunlight interference $\leq 10,000\text{lux}$;
Spot diameter	8mm@30cm		Incandescent light interference $\leq 3,000\text{lux}$
Response time	$\leq 0.5\text{ms}$	Operating temperature	$-25^{\circ}\text{C} \dots 55^{\circ}\text{C}$
Supply voltage	10...30 VDC	Storage temperature	$-25^{\circ}\text{C} \dots 70^{\circ}\text{C}$
Consumption current	$\leq 25\text{mA}$	Protection degree	IP67
Load current	$\leq 200\text{mA}$	Certification	CE
Hysteresis range	3...20%	Production standard	EN60947-5-2:2012、IEC60947-5-2:2012
Voltage drop	$\leq 1\text{V}$	Material	Housing: PC+ABS; Filter: PMMA
Light source	Red light (640nm)	Weight	10g
Circuit protection	Short-circuit, overload, reverse polarity and zener protection	Connection	M8 connector
NO/NC adjustment	Press the button for 5...8s, when the yellow and green light flash synchronously at 2Hz, and lift. Finish state switch.		
Distance adjustment	Press the button for 2...5s, when the yellow and green light flash synchronously at 4Hz, and lift to finish the distance setting.		
	If the yellow and green light flash asynchronously @8Hz for 3s, setting fails and the product distance goes to the maximum.		

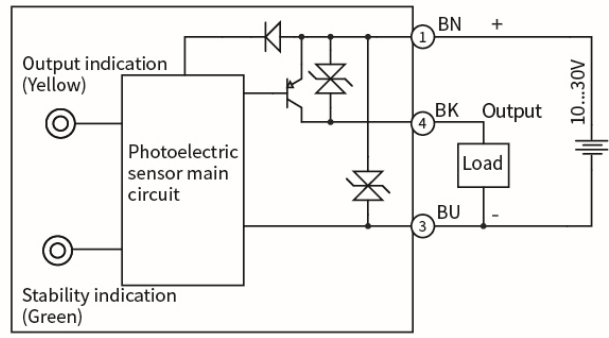
Dimensions



Circuit Diagrams



NPN



PNP