

Miniature photoelectric sensor PST series



Feature description

- M3 threaded cylindrical installation, small size, easy to install and use
- With 360° visible bright LED status indicator
- Good anti-light interference, high product stability
- Stable detection of small objects



Model specification

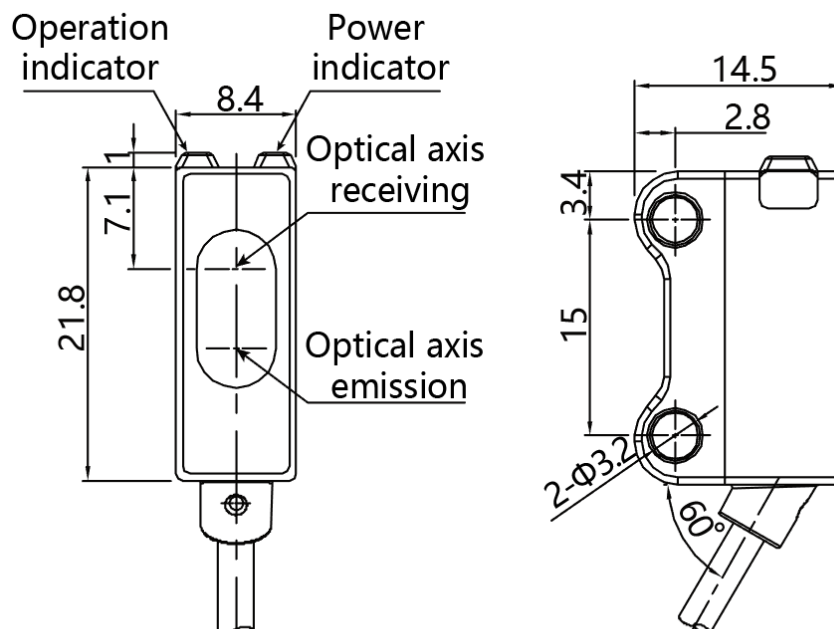
NPN NO	PST-SR25DNOR	PNP NO	PST-SR25DPOR
NPN NC	PST-SR25DNCR	PNP NC	PST-SR25DPCR

Specifications

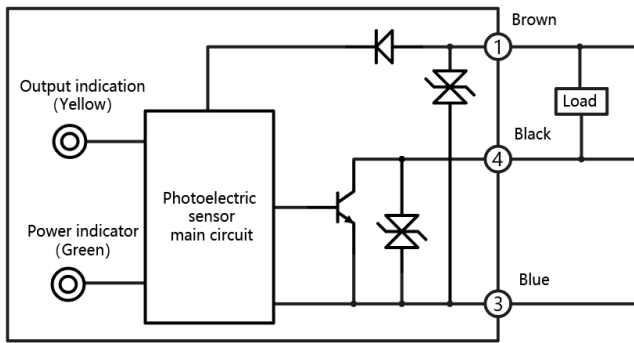
Sensing distance	2...25mm	Response time	<1ms
Dead zone	<2mm	Anti ambient light	Sunlight interference $\leq 10,000$ lux
Min target	0.1mm copper wire(at the detection distance of 10mm)		Incandescent light interference $\leq 3,000$ lux
Return difference	< 20%	Operation temperature	-20...55 °C
Supply voltage	10...30VDC	Storage temperature	-30...70 °C
Consumption current	≤ 15 mA	Protection degree	IP67
Load current	≤ 50 mA	In conformity with standards	CE
Voltage drop	≤ 1.5 V	Shell material	ABS
Light source	Red light(640nm)	Lens	PMMA
Protection circuit	Short circuit,reverse polarity,overload protection	Connection	2m PVC cable
Indicator	Green:power supply indicator,stability indication Yellow:output indication	Accessory	Screws(M3×16mm)×2、Nut×2、Operation manual

Remark: Use 100*100mm white card whose reflectivity is greater than 90%

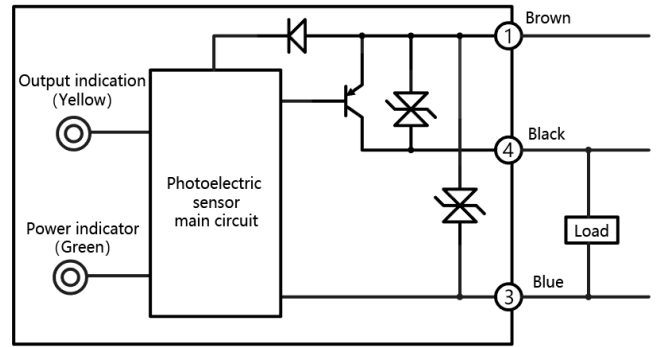
Dimension



Wiring diagram



NPN



PNP