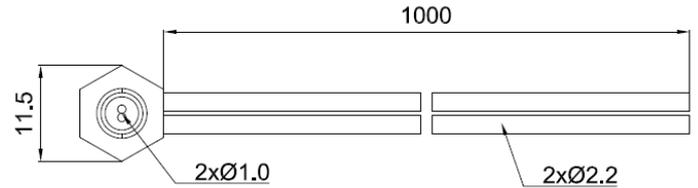
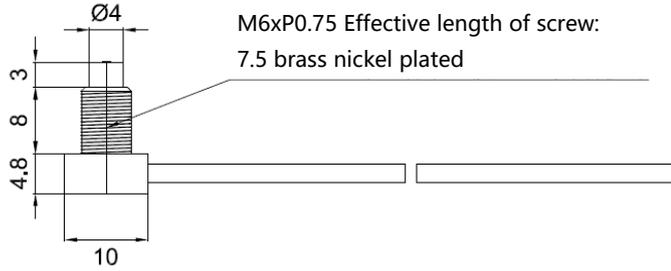


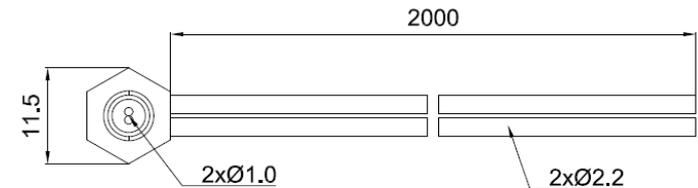
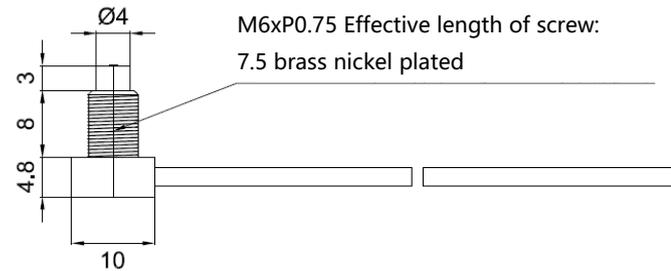
Optical fiber **PFR/T-V** series



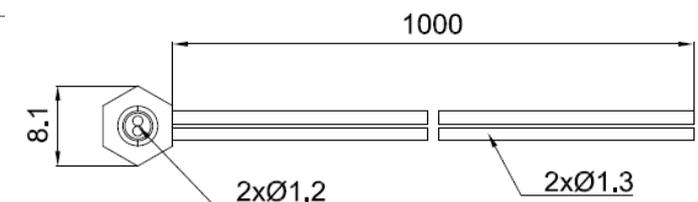
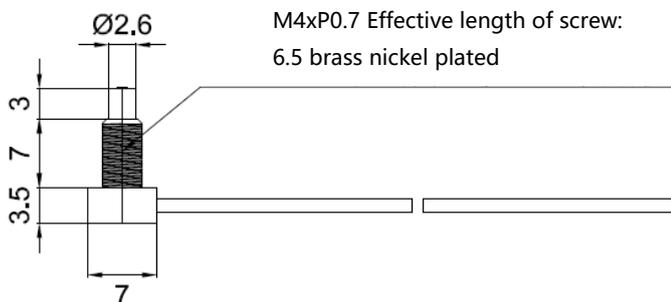
Model specification	PFR-610-V
Detection distance	15/30/45mm
Minimum bending radius	R2
Temperature resistance	- 40...70°C



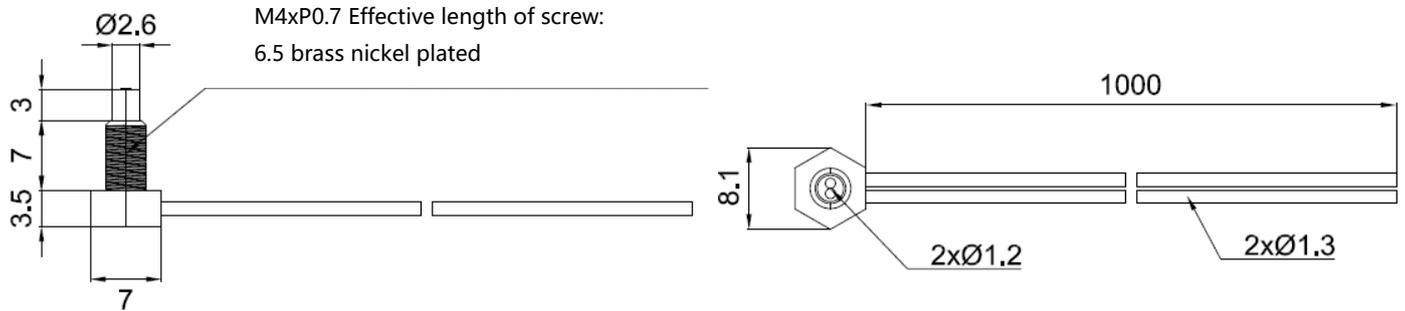
Model specification	PFR-620-V
Detection distance	15/30/45mm
Minimum bending radius	R2
Temperature resistance	- 40...70°C



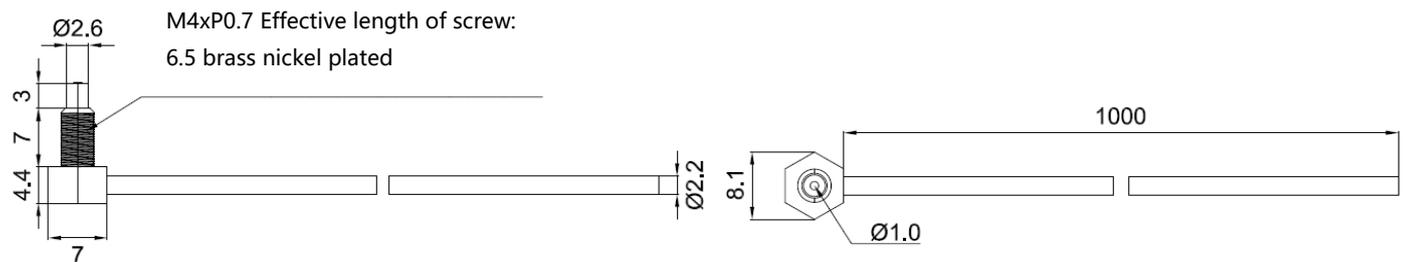
Model specification	PFR-410-V
Detection distance	35/110/200mm
Minimum bending radius	R2
Temperature resistance	- 40...70°C



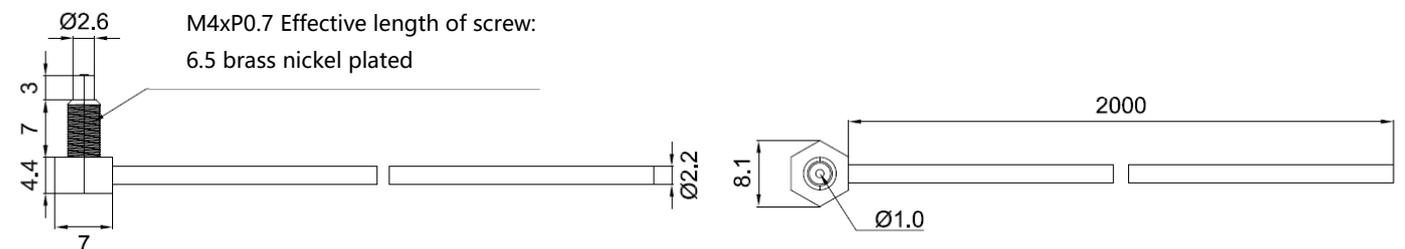
	Model specification	PFR-420-V
	Detection distance	35/110/200mm
	Minimum bending radius	R2
	Temperature resistance	- 40...70°C



	Model specification	PFT-410-V
	Detection distance	150/500/2000mm
	Minimum bending radius	R2
	Temperature resistance	- 40...70°C

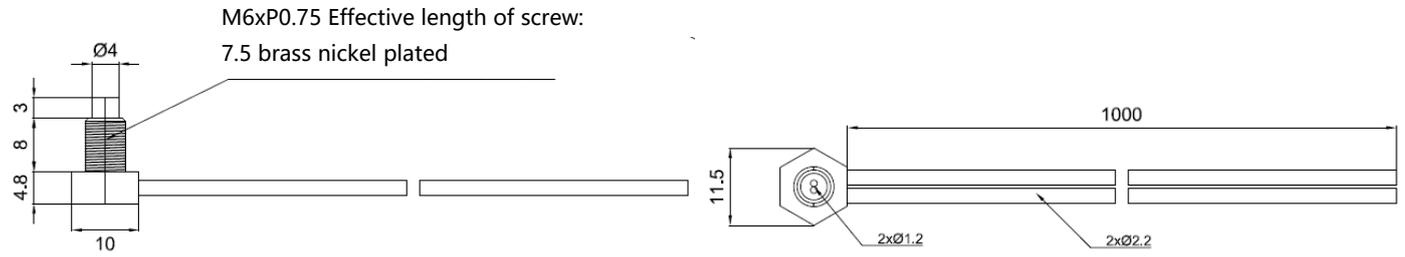


	Model specification	PFT-420-V
	Detection distance	150/500/2000mm
	Minimum bending radius	R2
	Temperature resistance	- 40...70°C





Model specification	PFT-610-V
Detection distance	150/500/2000mm
Minimum bending radius	R2
Temperature resistance	- 40...70°C



Model specification	PFT-620-V
Detection distance	150/500/2000mm
Minimum bending radius	R2
Temperature resistance	- 40...70°C

