

Plastic square photoelectric sensor **PSE-SC** series



Feature description

- Long-shape light spot design, can stably detect various hole of PCB
- Highlight 360° indicator, easy to identify working conditions
- One-click setting NO/NC, simple and fast
- Small difference between black and white, suitable for detecting target in various colors



Model specification

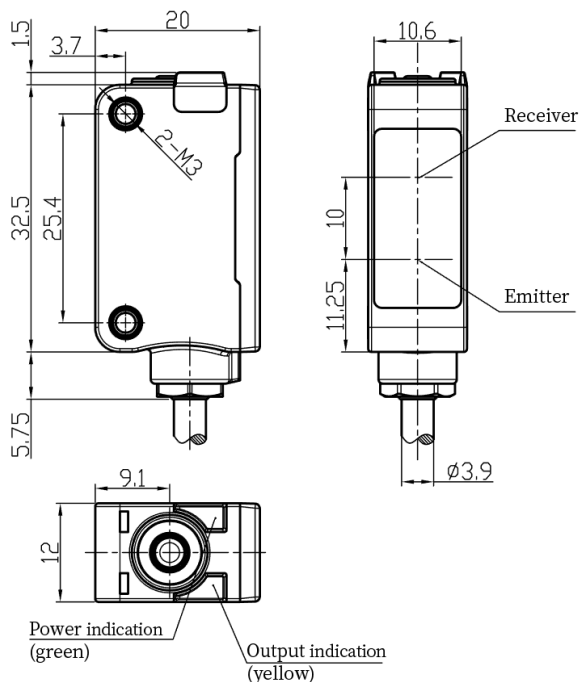
NPN NO/NC	PSE-SC5DNBX	PNP NO/NC	PSE-SC5DPBX
-----------	-------------	-----------	-------------

Specifications

Detection distance	5cm	Protection circuit	Short circuit protection, Polarity protection, Overload protection
Dead zone	≤5mm ^①	Anti-ambient light	Sunlight≤10,000Lux;Incandescent light≤3,000Lux
Standard target	100*100mm white cards	Operating temperature	- 25...55 °C(No condensation, No icing)
Light spot size	3*40mm@50mm	Storage temperature	- 30...70 °C
Color sensitivity	≥80%	Protection degree	IP67
Return difference	< 5% ^①	Certification	CE
Supply voltage	10...30VDC(Ripple P-P: < 10%)	Shell material	PC+ABS
Consumption current	< 25mA	Lens	PMMA
Load current	200mA	Weight	50g
Voltage drop	≤1.5V	Connection type	2m PVC Cable
Light source	Red light(640nm)	Accessory	Mounting Bracket ZJP-8, Operation manual
Response time	0.5ms below		
Indicator	Green:Power indication;Yellow:output indication		

①Use 100*100mm 90% reflectivity white card;Room temperature 25°C.

Dimensions



Wiring diagram

