

Plastic square shape photoelectric sensors **PTL** series


Features

- ◆ Retro reflection working principle;
- ◆ Excellent anti-interference performance
- ◆ High detection accuracy



Part number

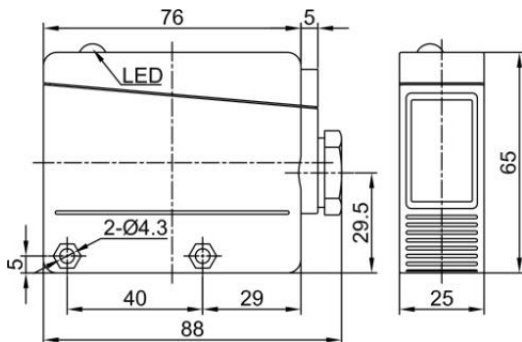
NPN NO+NC PTL-DM5DNRT3-D

PNP NO+NC PTL-DM5DPRT3-D

Technical specifications

Detection type	Retro reflection	Consumption current	≤25mA
Rated distance [Sn]	5m (non-adjustable)	Circuit protection	Short-circuit, overload and reverse polarity
Standard target	TD-05 reflector	Response time	< 8.2ms
Light source	Infrared LED (880nm)	Output indicator	Yellow LED
Dimensions	88mm *65 mm *25mm	Ambient temperature	-15°C...+55°C
Output	NO+NC	Ambient humidity	35-85%RH (non-condensing)
Supply voltage	10...30 VDC	Voltage withstand	1000V/AC 50/60Hz 60s
Target	Opaque object	Insulation resistance	≥50MΩ(500VDC)
Hysteresis range [%/Sr]	Vibration resistance	10...50Hz (0.5mm)
Repeat accuracy [R]	≤5%	Degree of protection	IP67
Load current	≤200mA	Housing material	PC/ABS
Residual voltage	≤2.5V	Connection type	Terminal
Delay time	0.1...5s(P2 Potentiometer)		

Dimensions



Wiring diagram

