

## Plastic square shape photoelectric sensors PSE series



### Feature description

- Universal housing, an ideal replacement for a wide range of sensor types;
- IP67, suitable for harsh environments;
- One-key distance setting, accurate and fast setting
- Using TOF principle, the difference between black and white of the product is small, and the detection is stable



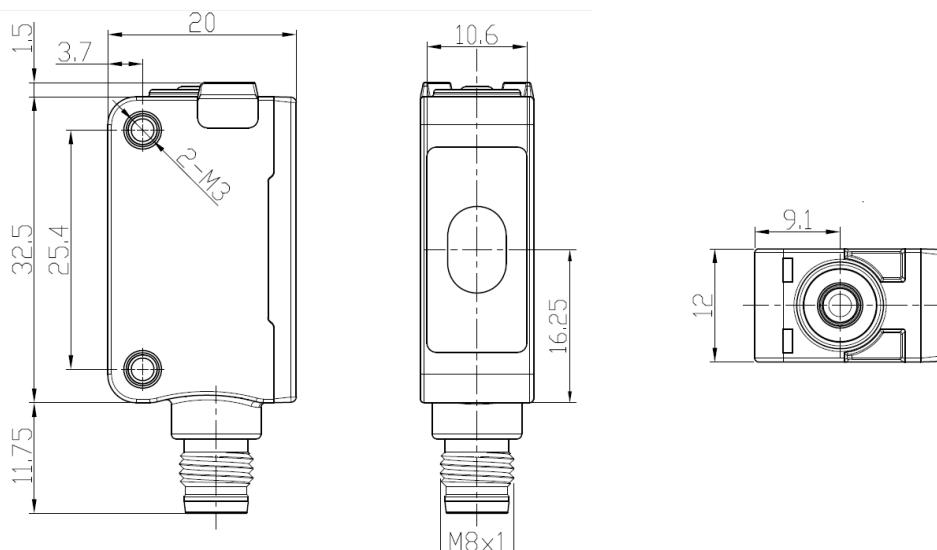
### Model specification

NPN NO/NC	PSE-CC100DNB-E3	PNP NO/NC	PSE-CC100DPB-E3
-----------	-----------------	-----------	-----------------

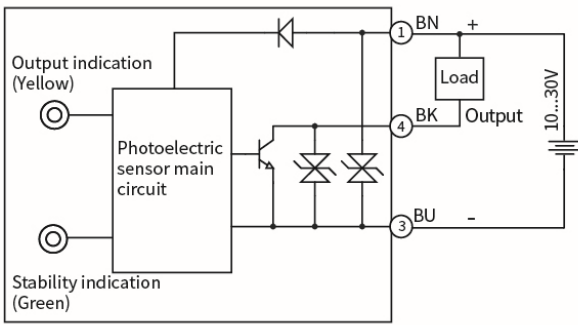
### Specifications

Detection range	0.5...100cm	Indicator	Green light: power; Yellow light: output
Adjustment range	8...100cm	Anti-ambient light	Sunshine ≤ 10 000Lx, Incandescent ≤ 3 000Lx, Fluorescent lamp ≤ 1000Lx
Output type	NPN NO/NC or PNP NO/NC	Operating temperature	-20°C...55 °C
Hysteresis	3...20%	Storage temperature	-25°C...70 °C
Supply voltage	10...30VDC	Protection degree	IP67
Consumption current	≤ 20mA	Certification	CE
Load current	≤ 100mA	Material	Housing: PC+ABS; Filter: PMMA
Voltage drop	≤ 1.5V	Weight	50g
Adjustment method	Button adjustment	Connection	M8 4-pin connector
Light source	Infrared laser(940nm)	Accessory	Mounting bracket ZJP-8
Light spot size	Φ120mm@100cm		
Response time	≤ 100ms		
Circuit protection	Short circuit protection, overload protection, reverse polarity protection, Zener protection		
NO/NC adjustment	Press the button for 5...8s, when the yellow and green light flash synchronously at 2Hz, and lift. Finish state switch.		
Distance adjustment	Press the button for 2...5s, when the yellow and green light flash synchronously at 4Hz, and lift to finish the distance setting. If the yellow and green lights flash asynchronously at 8Hz for 3s, and the setting fails.		

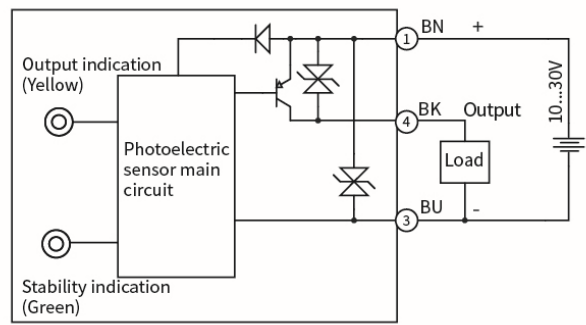
### Dimensions



**Wiring diagram**



NPN



PNP