

## Plastic square shape photoelectric sensors PSE series



### Feature description

- Universal housing, an ideal replacement for a wide range of sensor types
- IP67, suitable for harsh environments
- Large knob design, convenient and fast adjustment distance
- Small detection dead zone, suitable for the detection of high light objects
- Product FGS and BGS can be switched, suitable for use in various occasions



### Model specification

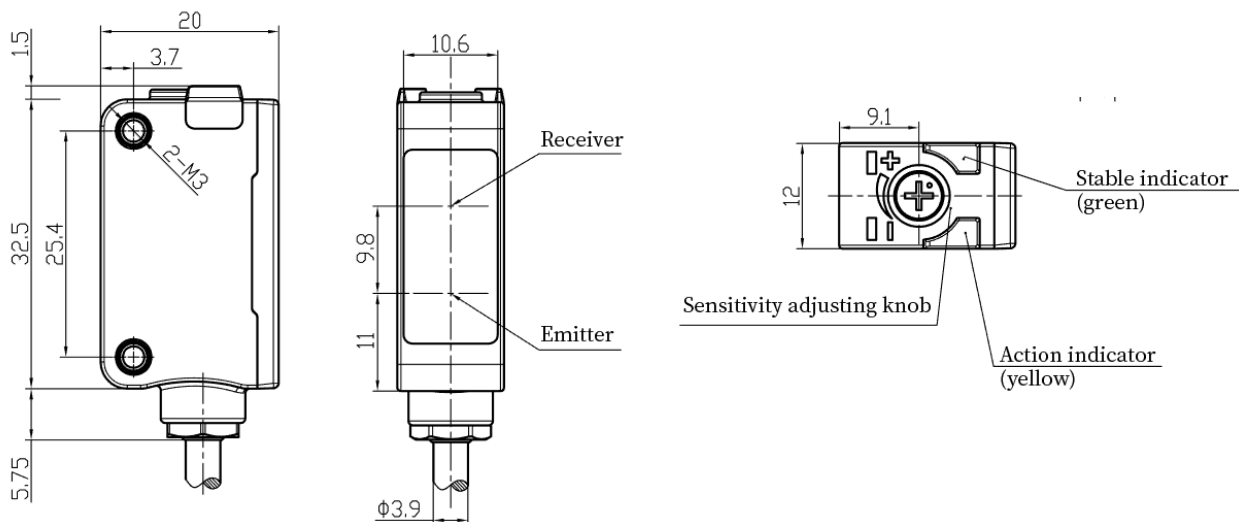
|        |             |        |             |
|--------|-------------|--------|-------------|
| NPN NO | PSE-YC5DNOR | PNP NO | PSE-YC5DPOR |
| NPN NC | PSE-YC5DNCR | PNP NC | PSE-YC5DPCR |

### Specifications

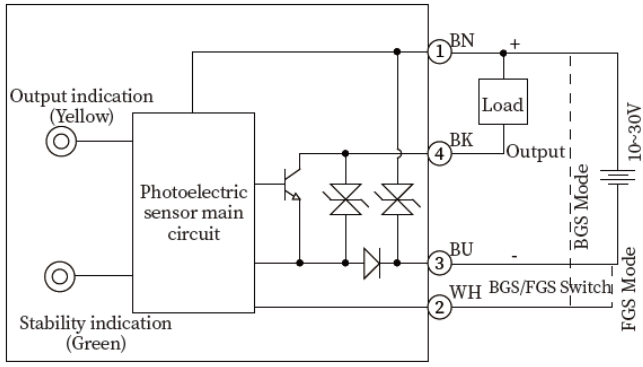
|                     |   |                     |   |
|---------------------|---|---------------------|---|
| Detection method    | Background suppression  | Response time       | ≤0.5ms  |
| Sensing distance    | 0.2...5cm   | Indicator           | Green:Power indicator;Yellow:Output,overload or short circuit |
| Distance adjustment | 5-turn knob adjustment  | Anti-ambient light  | Sunlight interference≤10,000 lux                              |
| BGS/FGS Switch      | The white wire connected to the positive electrode or floating is |                     | Anti-incandescent light interference≤3,000 lux                |
|                     | BGS and the white wire connected to the Negative electrode is FGS | Ambient temperature | -25°C ...55 °C  |
| Light spot size     | φ2mm@5cm  | Storage temperature | -25°C ...70 °C  |
| Return difference   | < 2%  | Protection degree   | IP67  |
| Supply voltage      | 10...30 VDC   | Certification       | CE  |
| Consumption current | ≤20mA   | Material            | PC+ABS  |
| Load current        | ≤100mA  | Lens                | PMMA  |
| Voltage drop        | ≤2V   | Weight              | 2m PVC Cable(50g)   |
| Light source        | Red light(630nm)  | Accessories         | Screw(M3×12mm)×2、Mounting bracket ZJP-8                       |
| Circuit protection  | Short circuit、Reverse polarity、Overload、Zener protection          |                     | Operation manual  |

Note: The standard detection target is a white card of 20cm\*20cm(90% reflectivity)

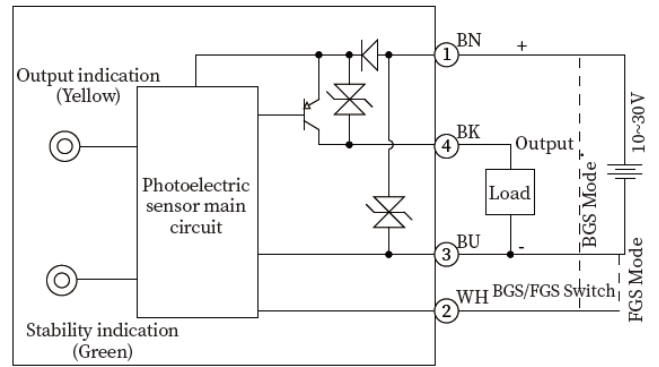
### Dimension



**Wiring diagram**



**NPN**



**PNP**