

Plastic square shape photoelectric sensors PTL series



Features

- ◆ Through beam reflection working principle;
- ◆ Excellent anti-interference performance
- ◆ High detection accuracy

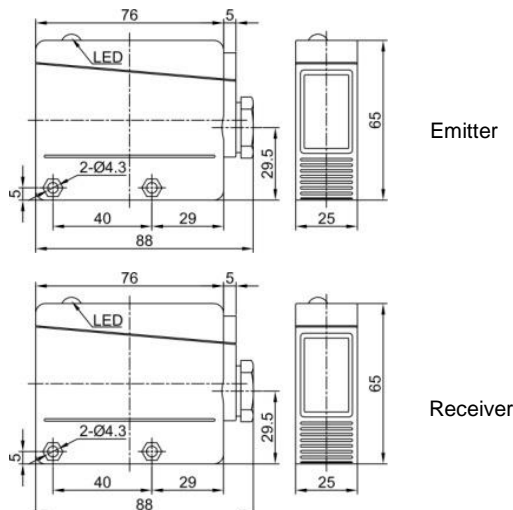
Part number

		Emitter		Receiver	
NPN	NO+NC	PTL-TM40D-D	PTL-TM40DNRT3-D	PNP	NO+NC
				PTL-TM40D-D	PTL-TM40DPRT3-D

Technical specifications

Detection type	Through beam	Consumption current	≤25mA
Rated distance [Sn]	40m (non-adjustable)	Circuit protection	Short-circuit and reverse polarity
Standard target	> φ15mm opaque object	Response time	< 8.2ms
Light source	Infrared LED (880nm)	Output indicator	Emitter: Green LED Receiver: Yellow LED
Dimensions	88 mm *65 mm *25 mm	Ambient temperature	-15°C...+55°C
Output	NO+NC	Ambient humidity	35-85%RH (non-condensing)
Supply voltage	10...30 VDC	Voltage withstand	1000V/AC 50/60Hz 60s
Min target	Insulation resistance	≥50MΩ(500VDC)
Hysteresis range [%/Sr]	Vibration resistance	10...50Hz (0.5mm)
Repeat accuracy [R]	≤5%	Degree of protection	IP67
Load current	≤200mA (receiver)	Housing material	PC/ABS
Residual voltage	≤2.5V (receiver)	Connection type	Terminal
Delay time	0.1...5s(P2 Potentiometer)		

Dimensions



Wiring diagram

