

Plastic square shape photoelectric sensors **PTF** series


Features

- ◆ Polarized reflection working principle;
- ◆ Suitable for detecting transparent or high reflective target;
- ◆ High detection accuracy

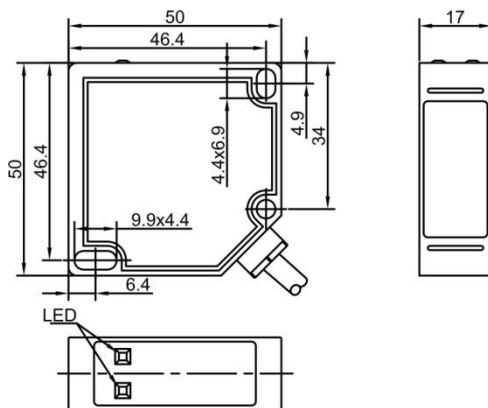
Part number

Relay output	PTF-PM5SK
--------------	-----------

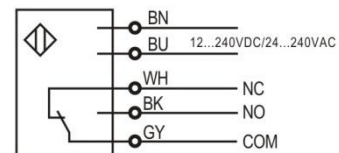
Technical specifications

Detection type	Polarized reflection	Consumption current	≤40mA
Rated distance [Sn]	5m (non-adjustable)	Circuit protection
Standard target	TD-09 reflector	Response time	< 30ms
Light source	Red LED (660nm)	Output indicator	Yellow LED
Dimensions	50mm *50mm *17mm	Ambient temperature	-15°C...+55°C
Output	Relay output	Ambient humidity	35-85%RH (non-condensing)
Supply voltage	24...240 VAC/12...240VDC	Voltage withstand	2000V/AC 50/60Hz 60s
Target	Transparent, semi-transparent, Opaque object	Insulation resistance	≥50MΩ(500VDC)
Repeat accuracy [R]	≤5%	Vibration resistance	10...50Hz (0.5mm)
Load current	≤3A	Degree of protection	IP64
Residual voltage	Housing material	PC/ABS
		Connection type	2m PVC cable

Dimensions



Wiring diagram



Relay output