

Plastic square shape photoelectric sensors **PTF** series



Features

- ◆ Retro reflection working principle;
- ◆ Excellent anti-interference performance
- ◆ High detection accuracy

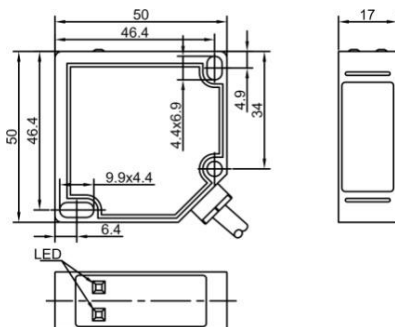
Part number

Relay output	PTF-DM3SK	PTF-DM5SK
--------------	-----------	-----------

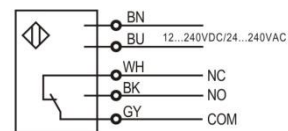
Technical specifications

Detection type	Retro reflection	Consumption current	≤40mA
Rated distance [Sn]	3m (non-adjustable) 5m (non-adjustable)	Circuit protection
Standard target	TD-09 reflector	Response time	< 30ms
Light source	Infrared LED (880nm)	Output indicator	Yellow LED
Dimensions	50 mm *50 mm *17 mm	Ambient temperature	-15°C...+55°C
Output	Relay output	Ambient humidity	35-85%RH (non-condensing)
Supply voltage	24...240VAC/12...240VDC	Voltage withstand	2000V/AC 50/60Hz 60s
Target	Opaque object	Insulation resistance	≥50MΩ(500VDC)
Hysteresis range [%/Sr].....		Vibration resistance	10...50Hz (0.5mm)
Repeat accuracy [R]	≤5%	Degree of protection	IP64
Load current	≤3A	Housing material	PC/ABS
Residual voltage	Connection type	2m PVC cable

Dimensions



Wiring diagram



Relay output